

For a Free Quote:

Web: **EnergyPal.com/solar**

Call: **1-800-990-3725**

Email: **contact@energypal.com**

EnergyPal

**Solar Panel Guide
Specification Data Sheet**

**Sunlife Solar Co. Pvt. Ltd
SLS250-270M
SLS265M**

Also available on the web at
EnergyPal.com/sunlife-solar-co-pvt-ltd-solar-panels/sls265m



ELECTRICAL SPECIFICATIONS

Model NO.	SLS250M	SLS255M	SLS260M	SLS265M	SLS270M
Peak power(Pmax)	250W	255W	260W	265W	270W
Maximum power voltage(Vmp)	30.7V	30.9V	31.2V	31.4V	31.6V
Maximum power current(Imp)	8.15A	8.25A	8.33A	8.43A	8.54A
Short-circuit current(Isc)	8.80A	8.90A	9.01A	9.10A	9.22A
Open circuit voltage(Voc)	38.1V	38.3V	38.7V	38.9V	39.2V
Optimized cell efficiency(η)	17.20%	17.50%	17.80%	18.20%	18.50%
Power tolerance:	0~+3%				
Maximum system voltage	1000VDC				

TEMPERATURE COEFFICIENT

Current temperature coefficient	0.037%/°C
Voltage temperature coefficient	-0.34%/°C
Power temperature coefficient	-0.48%/°C

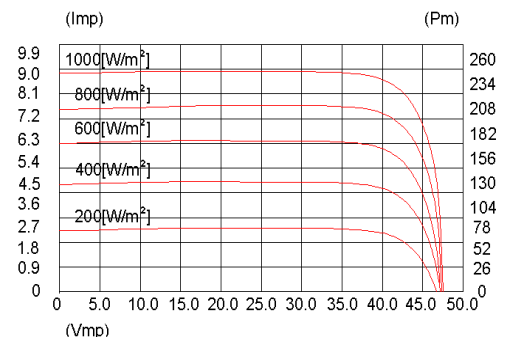
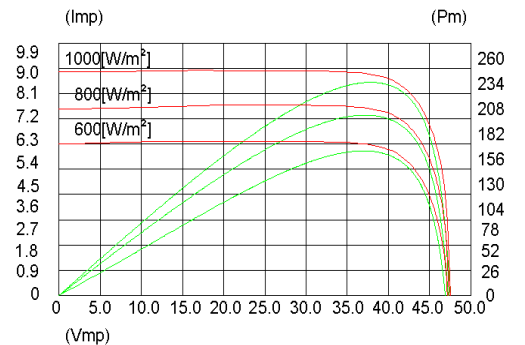
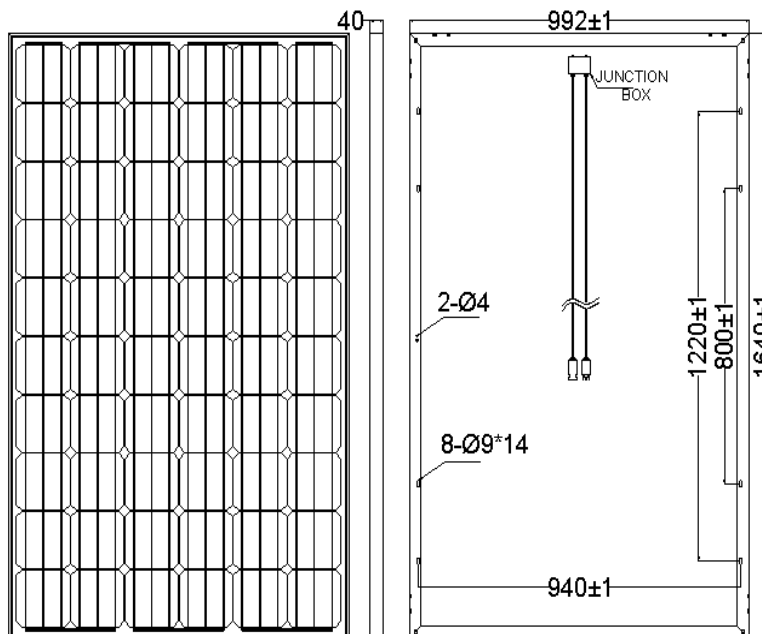
ELECTRICAL CHARACTERISTICS

STC: Irradiance of 1000W /m2, AM 1.5, Cell Temperature of 25°C

MECHANICAL SPECIFICATIONS

Cell Type	156mm x 156mm
Number of Cells	60 cells in series
Weight	17.5 kg (38.5 lbs)
Dimension	1640x992x40mm
Front Glass	3.2mm tempered glass
Frame	Anodized aluminum alloy
Max Load	5400 Pascals (112 lb/ft2)
Junction Box	IP65
Cable/Connector	900mm /MC4 Compatible

PHYSICAL CHARACTERISTICS



*Due to continuous innovation, research and product improvement, the specifications are subject to change without prior notice.
*The data do not refer to a single module and they are not part of the offer they only serve for comparison to different module types

25-year performance warranty
10-year warranty on materials and workmanship
The specifications are subject to change without prior notice.