

For a Free Quote:

Web: EnergyPal.com/solar

Call: 1-800-990-3725

Email: contact@energypal.com

EnergyPal

Solar Panel Guide Specification Data Sheet

Solartech Power, Inc.

SPM020-90P-BP

SPM040P-BP

Also available on the web at
EnergyPal.com/solartech-power-inc-solar-panels/spm040p-bp



J-Series 20W PV Module SPM020P-BP

Solartech J-Series Modules

Solartech photovoltaic J-Series Modules are constructed with high efficient polycrystalline solar cells and produce higher output per module than others in it class. This industrial grade module is an industry standard among various industry professionals.

Features

Class 1, Division 2, (C1D2) Group A,B,C and D

- Accessible junction box with 4-1/2" knockout for ease of installation.
- (EVA) with TPT cushions the solar cells within the laminate an ensures the operating characteristics of the solar cells under virtually any climatic condition
- Rigid anodized aluminum frame and low iron tempered glass
- Easily accessible grounding points on all four corners for fast installation
- Proven junction box technology

Reliability

- Proven superior field performance
- Tight power tolerance

Qualifications and Certifications



Applications

- Traffic & Safety
- Federal Government
- Oil & Gas
- Security
- Telecommunications
- Water and Wastewater
- Weather & Environmental Monitoring
- RV Camper
- Emergency Power
- Telemetry
- SCADA, RTU, GPS
- Marine
- Area Lighting & Sign

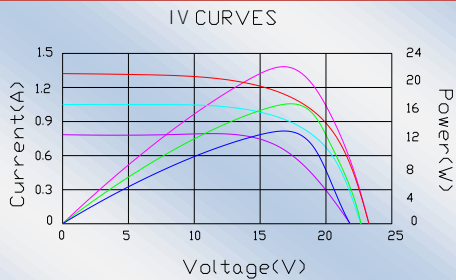
Electrical Characteristics

Max power(Pm)	20W
Maximum power voltage(Vpm)	16.8V
Maximum power current (Ipm)	1.19A
Short circuit current (Isc)	1.29A
Open circuit voltage (Voc)	21.0V
Module efficiency	9.4%
Tolerance	±5%
Nominal Voltage	12V
Temperature coefficient of Voc	-0.36%/K
Temperature coefficient of Pm	-0.46%/K
Temperature coefficient of Isc	0.05%/K
NOCT	48°C ± 2°C
Maximum series fuse rating	10A
Maximum system voltage	600V

Mechanical Characteristics

Construction	Tempered glass, silicon cell, EVA, Polyester with Tedlar
Solar Cells	36 cells (156mm x 26mm) in a 3x12 matrix connected in series
Front Cover	High transmission 3.2mm(1/8") glass
Encapsulant	EVA(Double layers)
Back Cover	White polyester
Frame	Anodized aluminum
Junction Box	IP65, UL94-5VA material
Diodes	Schottky by-pass diodes
Terminal	Accept 8-14 AWG wire
Dimensions	16.5in(419mm)x19.8in(502mm)x1.97in(50mm)
Weight	7.26lb (3.3kg)
Operating Temperature	-40°C~90°C
Storage Humidity	<90%

IV Curves

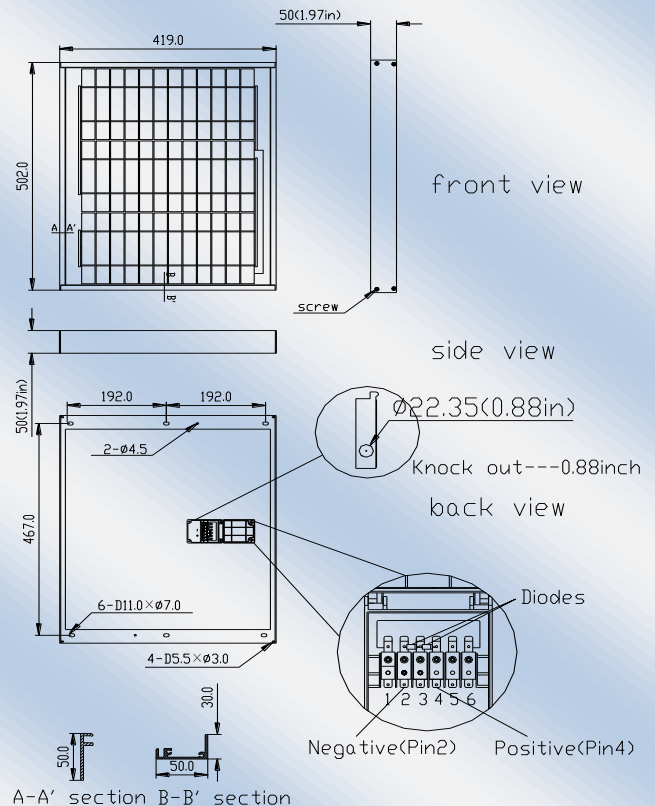


Warranty

25-year limited warranty of 80% power output;
12-year limited warranty of 90% power output;
5-year limited warranty of materials and workmanship

Certifications

UL 1703 certification
ETL Class I, Division 2, Groups A, B, C and D certification





J-Series 30W PV Module SPM030P-BP

Solartech J-Series Modules

Solartech photovoltaic J-Series Modules are constructed with high efficient polycrystalline solar cells and produce higher output per module than others in its class. This industrial grade module is an industry standard among various industry professionals.

Features

Class 1, Division 2, (C1D2) Group A,B,C and D

- Accessible junction box with 4-1/2" knockout for ease of installation.
- (EVA) with TPT cushions the solar cells within the laminate and ensures the operating characteristics of the solar cells under virtually any climatic condition
- Rigid anodized aluminum frame and low iron tempered glass
- Easily accessible grounding points on all four corners for fast installation
- Proven junction box technology

Reliability

- Proven superior field performance
- Tight power tolerance

Qualifications and Certifications



Applications

- Traffic & Safety
- Federal Government
- Oil & Gas
- Security
- Telecommunications
- Water and Wastewater
- Weather & Environmental Monitoring
- RV Camper
- Emergency Power
- Telemetry
- SCADA, RTU, GPS
- Marine
- Area Lighting & Sign

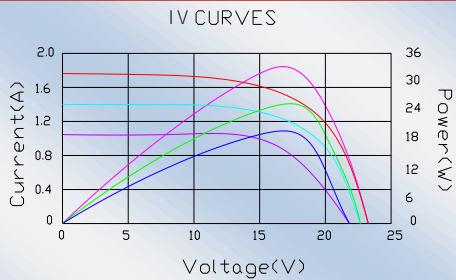
Electrical Characteristics

Max power(Pm)	30W
Maximum power voltage(Vpm)	16.8V
Maximum power current (Ipm)	1.78A
Short circuit current (Isc)	1.94A
Open circuit voltage (Voc)	21.0V
Module efficiency	10.5%
Tolerance	±5%
Nominal Voltage	12V
Temperature coefficient of Voc	-0.36%/K
Temperature coefficient of Pm	-0.46%/K
Temperature coefficient of Isc	0.05%/K
NOCT	48°C ± 2°C
Maximum series fuse rating	10A
Maximum system voltage	600V

Mechanical Characteristics

Construction	Tempered glass, silicon cell, EVA, Polyester with Tedlar
Solar Cells	36 cells (78mm x 78mm) in a 4x9 matrix connected in series
Front Cover	High transmission 3.2mm(1/8") glass
Encapsulant	EVA(Double layers)
Back Cover	White polyester
Frame	Anodized aluminum
Junction Box	IP65, UL94-5VA material
Diodes	Schottky by-pass diodes
Terminal	Accept 8-14 AWG wire
Dimensions	31.1in(790mm)x14.1in(358mm)x1.97in(50mm)
Weight	9.24lb (4.2kg)
Operating Temperature	-40°C~90°C
Storage Humidity	<90%

IV Curves

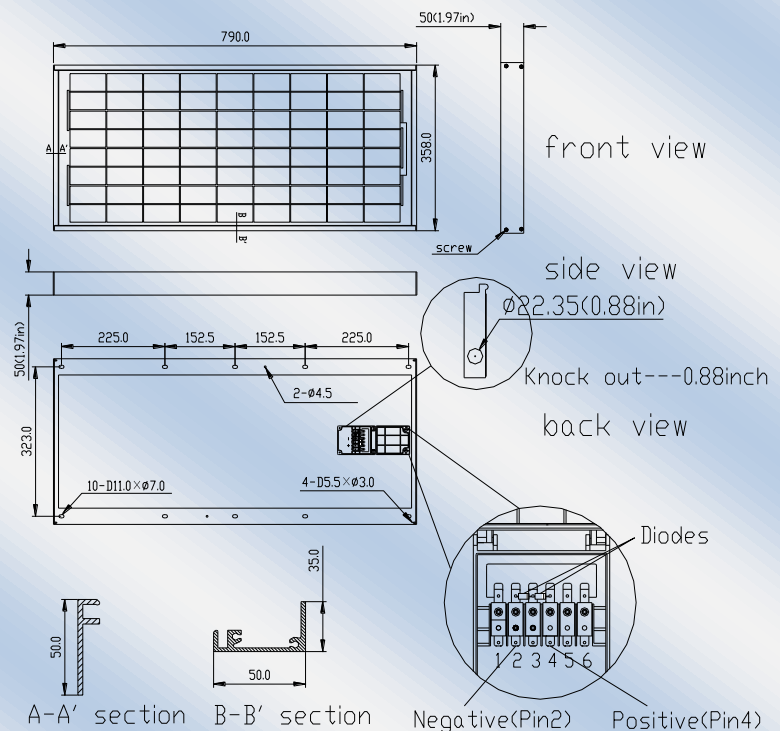


Warranty

25-year limited warranty of 80% power output;
12-year limited warranty of 90% power output;
5-year limited warranty of materials and workmanship

Certifications

UL 1703 certification
ETL Class I, Division 2, Groups A, B, C and D certification





J-Series 40W PV Module SPM040P-BP

Solartech J-Series Modules

Solartech photovoltaic J-Series Modules are constructed with high efficient polycrystalline solar cells and produce higher output per module than others in it class. This industrial grade module is an industry standard among various industry professionals.

Features

Class 1, Division 2, (C1D2) Group A,B,C and D

- Accessible junction box with 4-1/2" knockout for ease of installation.
- (EVA) with TPT cushions the solar cells within the laminate an ensures the operating characteristics of the solar cells under virtually any climatic condition
- Rigid anodized aluminum frame and low iron tempered glass
- Easily accessible grounding points on all four corners for fast installation
- Proven junction box technology

Reliability

- Proven superior field performance
- Tight power tolerance

Qualifications and Certifications



Applications

- Traffic & Safety
- Federal Government
- Oil & Gas
- Security
- Telecommunications
- Water and Wastewater
- Weather & Environmental Monitoring
- RV Camper
- Emergency Power
- Telemetry
- SCADA, RTU, GPS
- Marine
- Area Lighting & Sign

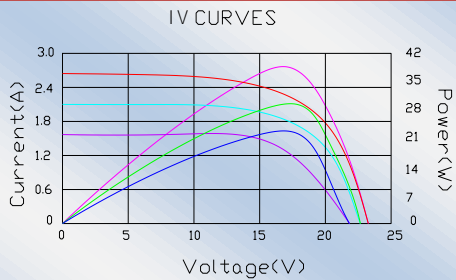
Electrical Characteristics

Max power(Pm)	40W
Maximum power voltage(Vpm)	17.3V
Maximum power current (Ipm)	2.31A
Short circuit current (Isc)	2.54A
Open circuit voltage (Voc)	21.8V
Module efficiency	11.4%
Tolerance	±5%
Nominal Voltage	12V
Temperature coefficient of Voc	-0.36%/K
Temperature coefficient of Pm	-0.46%/K
Temperature coefficient of Isc	0.05%/K
NOCT	48°C ± 2°C
Maximum series fuse rating	10A
Maximum system voltage	600V

Mechanical Characteristics

Construction	Tempered glass, silicon cell, EVA, Polyester with Tedlar
Solar Cells	36 cells (156mm x 48mm) in a 3x12 matrix connected in series
Front Cover	High transmission 3.2mm(1/8") glass
Encapsulant	EVA(Double layers)
Back Cover	White polyester
Frame	Anodized aluminum
Junction Box	IP65, UL94-5VA material
Diodes	Schottky by-pass diodes
Terminal	Accept 8-14 AWG wire
Dimensions	25.6in(650mm)x21.2in(537mm)x1.97in(50mm)
Weight	10.78lb (4.9kg)
Operating Temperature	-40°C~90°C
Storage Humidity	<90%

IV Curves

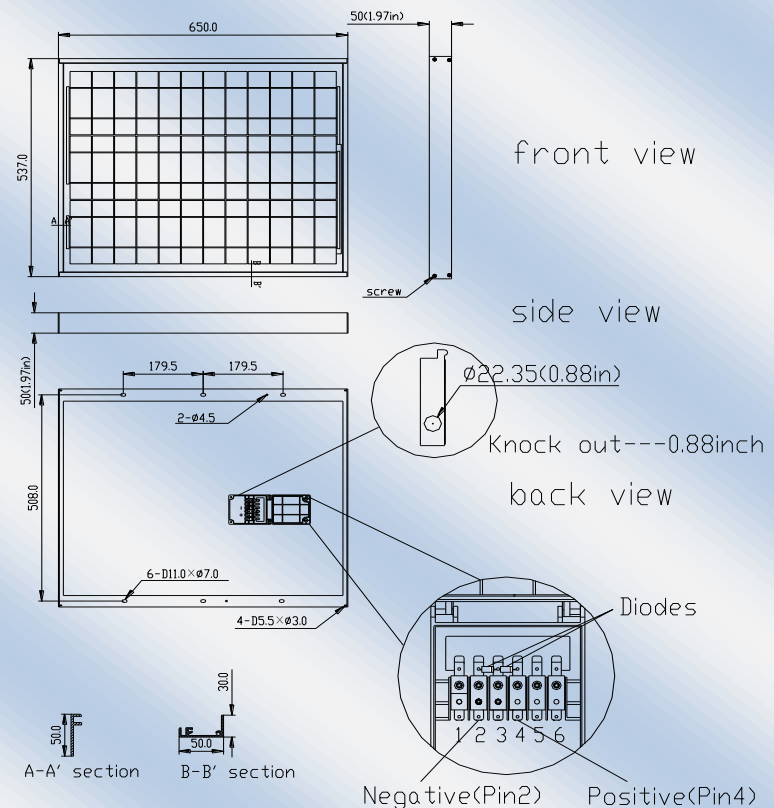


Warranty

25-year limited warranty of 80% power output;
12-year limited warranty of 90% power output;
5-year limited warranty of materials and workmanship

Certifications

UL 1703 certification
ETL Class I, Division 2, Groups A, B, C and D certification





J-Series 50W PV Module SPM050P-BP

Solartech J-Series Modules

Solartech photovoltaic J-Series Modules are constructed with high efficient polycrystalline solar cells and produce higher output per module than others in its class. This industrial grade module is an industry standard among various industry professionals.

Features

Class 1, Division 2, (C1D2) Group A,B,C and D

- Accessible junction box with 4-1/2" knockout for ease of installation.
- (EVA) with TPT cushions the solar cells within the laminate and ensures the operating characteristics of the solar cells under virtually any climatic condition
- Rigid anodized aluminum frame and low iron tempered glass
- Easily accessible grounding points on all four corners for fast installation
- Proven junction box technology

Reliability

- Proven superior field performance
- Tight power tolerance

Qualifications and Certifications



Applications

- Traffic & Safety
- Federal Government
- Oil & Gas
- Security
- Telecommunications
- Water and Wastewater
- Weather & Environmental Monitoring
- RV Camper
- Emergency Power
- Telemetry
- SCADA, RTU, GPS
- Marine
- Area Lighting & Sign

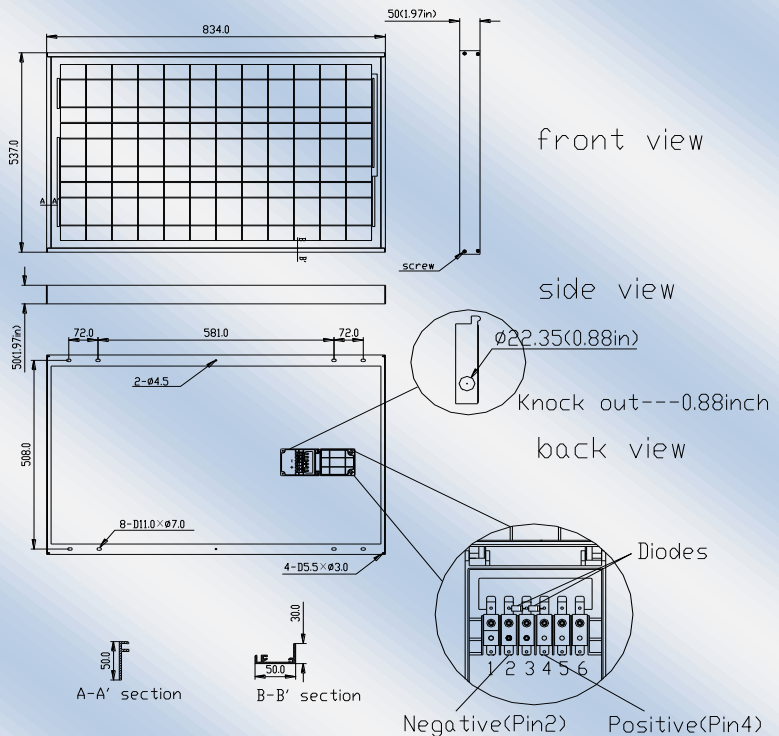
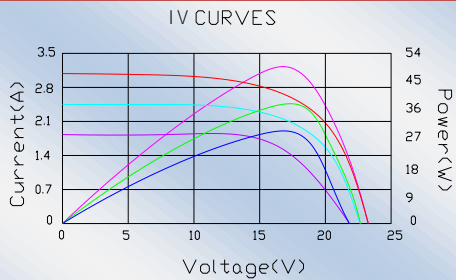
Electrical Characteristics

Max power(Pm)	50W
Maximum power voltage(Vpm)	17.5V
Maximum power current (Ipm)	2.90A
Short circuit current (Isc)	3.20A
Open circuit voltage (Voc)	21.8V
Module efficiency	11.1%
Tolerance	±5%
Nominal Voltage	12V
Temperature coefficient of Voc	-0.36%/K
Temperature coefficient of Pm	-0.46%/K
Temperature coefficient of Isc	0.05%/K
NOCT	48°C ± 2°C
Maximum series fuse rating	12A
Maximum system voltage	600V

Mechanical Characteristics

Construction	Tempered glass, silicon cell, EVA, Polyester with Tedlar
Solar Cells	36 cells (156mm x 62mm) in a 3x12 matrix connected in series
Front Cover	High transmission 3.2mm(1/8") glass
Encapsulant	EVA(Double layers)
Back Cover	White polyester
Frame	Anodized aluminum
Junction Box	IP65, UL94-5VA material
Diodes	Schottky by-pass diodes
Terminal	Accept 8-14 AWG wire
Dimensions	32.8in(834mm)x21.2in(537mm)x1.97in(50mm)
Weight	13.42lb (6.1g)
Operating Temperature	-40°C~90°C
Storage Humidity	<90%

IV Curves



Warranty

25-year limited warranty of 80% power output;
12-year limited warranty of 90% power output;
5-year limited warranty of materials and workmanship

Certifications

UL 1703 certification
ETL Class I, Division 2, Groups A, B, C and D certification



J-Series 65W PV Module SPM065P-BP

Solartech J-Series Modules

Solartech photovoltaic J-Series Modules are constructed with high efficient polycrystalline solar cells and produce higher output per module than others in its class. This industrial grade module is an industry standard among various industry professionals.

Features

Class 1, Division 2, (C1D2) Group A,B,C and D

- Accessible junction box with 4-1/2" knockout for ease of installation.
- (EVA) with TPT cushions the solar cells within the laminate and ensures the operating characteristics of the solar cells under virtually any climatic condition
- Rigid anodized aluminum frame and low iron tempered glass
- Easily accessible grounding points on all four corners for fast installation
- Proven junction box technology

Reliability

- Proven superior field performance
- Tight power tolerance

Qualifications and Certifications



Applications

- Traffic & Safety
- Federal Government
- Oil & Gas
- Security
- Telecommunications
- Water and Wastewater
- Weather & Environmental Monitoring
- RV Camper
- Emergency Power
- Telemetry
- SCADA, RTU, GPS
- Marine
- Area Lighting & Sign

Model Number SPM065P-BP

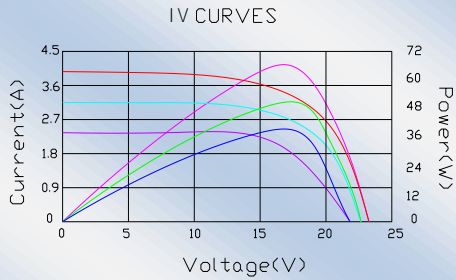
Electrical Characteristics

Max power(Pm)	65W
Maximum power voltage(Vpm)	17.6V
Maximum power current (Ipm)	3.69A
Short circuit current (Isc)	3.99A
Open circuit voltage (Voc)	21.7V
Module efficiency	12.1%
Tolerance	±5%
Nominal Voltage	12V
Temperature coefficient of Voc	-0.36%/K
Temperature coefficient of Pm	-0.46%/K
Temperature coefficient of Isc	0.05%/K
NOCT	48°C ± 2°C
Maximum series fuse rating	10A
Maximum system voltage	600V

Mechanical Characteristics

Construction	Tempered glass, silicon cell, EVA, Polyester with Tedlar
Solar Cells	36 cells (156mm x 78mm) in a 4x9 matrix connected in series
Front Cover	High transmission 3.2mm(1/8") glass
Encapsulant	EVA(Double layers)
Back Cover	White polyester
Frame	Anodized aluminum
Junction Box	IP65, UL94-5VA material
Diodes	Schottky by-pass diodes
Terminal	Accept 8-14 AWG wire
Dimensions	31.1in(790mm)x26.5in(674mm)x1.97in(50mm)
Weight	15.4lb (7.0kg)
Operating Temperature	-40°C~90°C
Storage Humidity	<90%

IV Curves

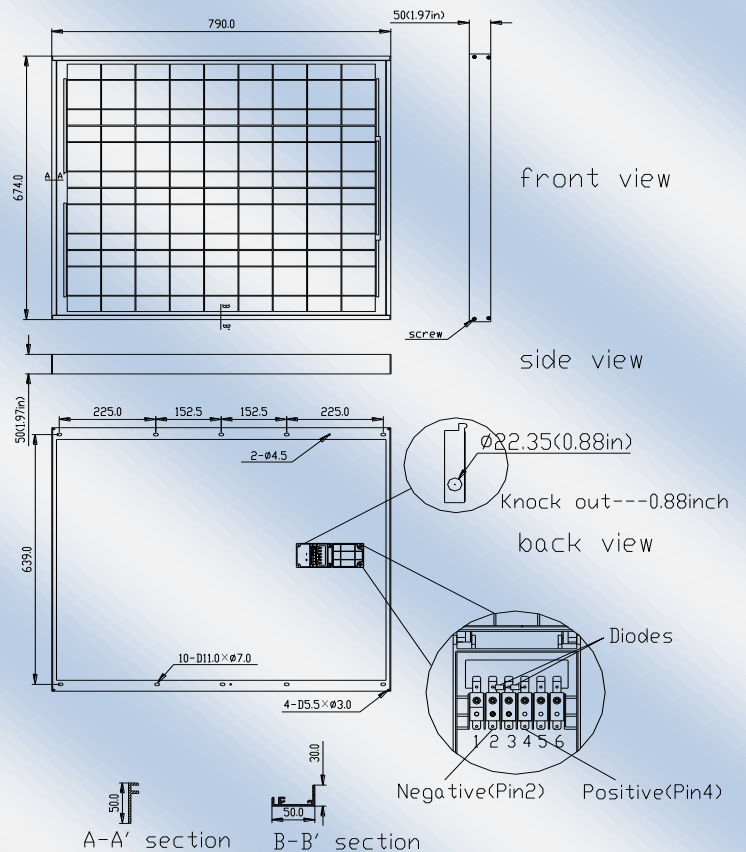


Warranty

25-year limited warranty of 80% power output;
12-year limited warranty of 90% power output;
5-year limited warranty of materials and workmanship

Certifications

UL 1703 certification
ETL Class I, Division 2, Groups A, B, C and D certification





J-Series 90W PV Module SPM090P-BP

Solartech J-Series Modules

Solartech photovoltaic J-Series Modules are constructed with high efficient polycrystalline solar cells and produce higher output per module than others in its class. This industrial grade module is an industry standard among various industry professionals.

Features

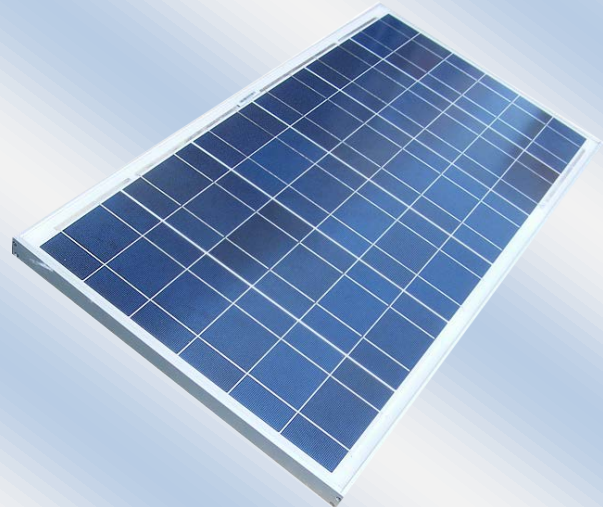
Class 1, Division 2, (C1D2) Group A,B,C and D

- Accessible junction box with 4-1/2" knockout for ease of installation.
- (EVA) with TPT cushions the solar cells within the laminate and ensures the operating characteristics of the solar cells under virtually any climatic condition
- Rigid anodized aluminum frame and low iron tempered glass
- Easily accessible grounding points on all four corners for fast installation
- Proven junction box technology

Reliability

- Proven superior field performance
- Tight power tolerance

Qualifications and Certifications



Applications

- Traffic & Safety
- Federal Government
- Oil & Gas
- Security
- Telecommunications
- Water and Wastewater
- Weather & Environmental Monitoring
- RV Camper
- Emergency Power
- Telemetry
- SCADA, RTU, GPS
- Marine
- Area Lighting & Sign

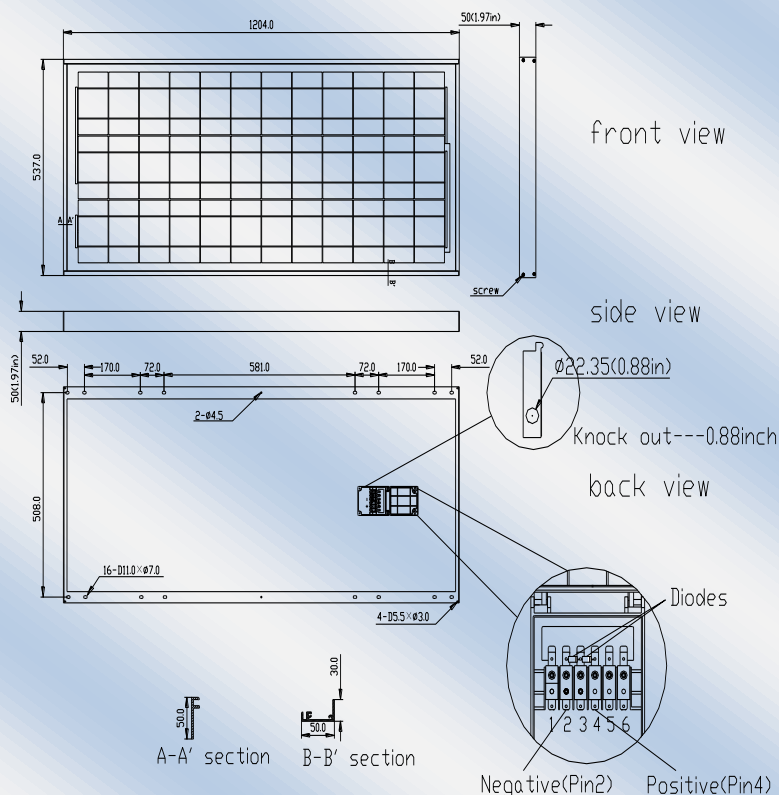
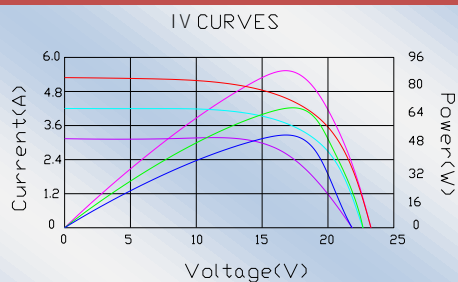
Electrical Characteristics

Max power(Pm)	90W
Maximum power voltage(Vpm)	17.9V
Maximum power current (Ipm)	5.03A
Short circuit current (Isc)	5.58A
Open circuit voltage (Voc)	22.2V
Module efficiency	13.9%
Tolerance	±5%
Nominal Voltage	12V
Temperature coefficient of Voc	-0.36%/K
Temperature coefficient of Pm	-0.46%/K
Temperature coefficient of Isc	0.05%/K
NOCT	48°C ± 2°C
Maximum series fuse rating	12A
Maximum system voltage	600V

Mechanical Characteristics

Construction	Tempered glass, silicon cell, EVA, Polyester with Tedlar
Solar Cells	36 cells (156mm x 91mm) in a 3x12 matrix connected in series
Front Cover	High transmission 3.2mm(1/8") glass
Encapsulant	EVA(Double layers)
Back Cover	White polyester
Frame	Anodized aluminum
Junction Box	IP65, UL94-5VA material
Diodes	Schottky by-pass diodes
Terminal	Accept 8-14 AWG wire
Dimensions	47.4in(1204mm)x21.2in(537mm)x1.97in(50mm)
Weight	19.8lb (9.0kg)
Operating Temperature	-40°C~90°C
Storage Humidity	<90%

IV Curves



Warranty

25-year limited warranty of 80% power output;
12-year limited warranty of 90% power output;
5-year limited warranty of materials and workmanship

Certifications

UL 1703 certification
ETL Class I, Division 2, Groups A, B, C and D certification