

For a Free Quote:

Web: **EnergyPal.com/solar**

Call: **1-800-990-3725**

Email: **contact@energypal.com**

EnergyPal

Solar Panel Guide Specification Data Sheet

**SunPower Corp.
X-Series X21-335-350W-BLK
SPR-X21-350-BLK**

Also available on the web at
EnergyPal.com/sunpower-corp-solar-panels/spr-x21-350-blk



SunPower X-Series: X21-350-BLK

SunPower® Residential DC Panel

SunPower X-Series panels combine the top efficiency, durability and warranty available in the market today, resulting in more long-term energy and savings.^{1,2}



Premium Aesthetics

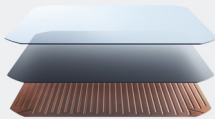
SunPower® Signature™ Black X-Series panels blend harmoniously into your roof. The most elegant choice for your home.



Highest Lifetime Energy and Savings

Designed to deliver 60% more energy in the same space over 25 years in real-world conditions like partial shade and high temperatures.²

Fundamentally Different. And Better.



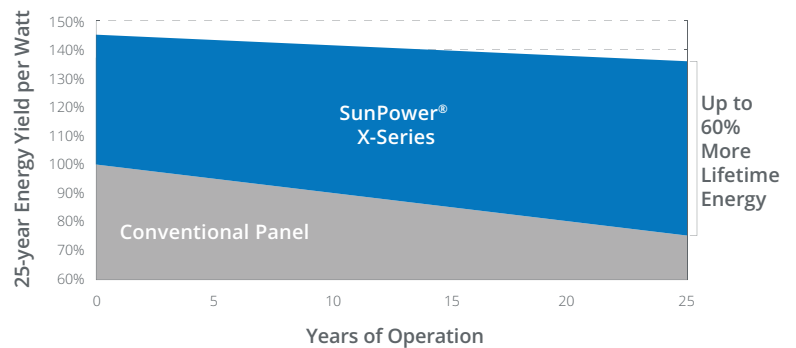
The SunPower Maxeon® Solar Cell

- Enables highest efficiency panels available²
- Unmatched reliability³
- Patented solid metal foundation prevents breakage and corrosion



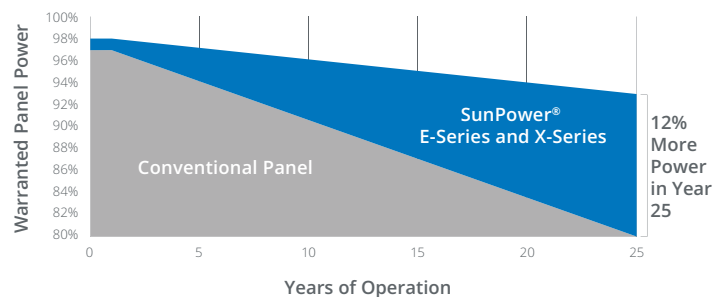
As Sustainable As Its Energy

- Ranked #1 in Silicon Valley Toxics Coalition 2015 Solar Scorecard⁴
- First solar panels to achieve Cradle to Cradle Certified™ Silver recognition⁵
- Contributes to more LEED categories than conventional panels⁶



Best Reliability, Best Warranty

With more than 25 million panels deployed around the world, SunPower technology is proven to last. That's why we stand behind our panel with the industry's best 25-year Combined Power and Product Warranty, including the highest Power Warranty in solar.

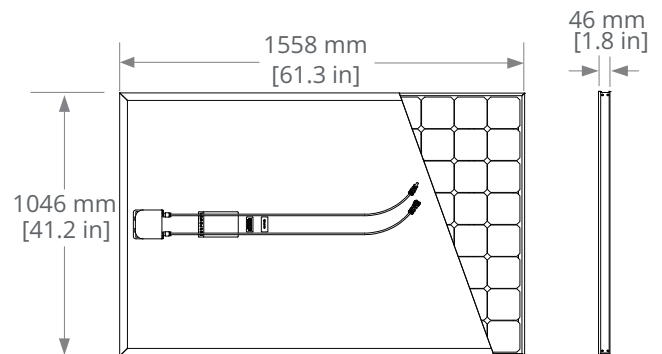


X-Series: X21-350-BLK SunPower® Residential DC Panel

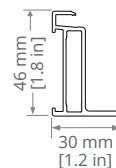
Electrical Data		
	SPR-X21-350-BLK	SPR-X21-335-BLK
Nominal Power (P _{nom}) ⁷	350 W	335 W
Power Tolerance	+5/0%	+5/0%
Panel Efficiency	21.5%	20.6%
Rated Voltage (V _{mpp})	57.3 V	57.3 V
Rated Current (I _{mpp})	6.11 A	5.85 A
Open-Circuit Voltage (V _{oc})	68.2 V	67.9 V
Short-Circuit Current (I _{sc})	6.50 A	6.23 A
Max. System Voltage	600 V UL & 1000 V IEC	
Maximum Series Fuse	15 A	
Power Temp Coef.	-0.29% / °C	
Voltage Temp Coef.	-167.4 mV / °C	
Current Temp Coef.	2.9 mA / °C	

Operating Condition And Mechanical Data	
Temperature	-40° F to +185° F (-40° C to +85° C)
Impact Resistance	1 inch (25 mm) diameter hail at 52 mph (23 m/s)
Appearance	Class A+
Solar Cells	96 Monocrystalline Maxeon Gen III
Tempered Glass	High-transmission tempered anti-reflective
Junction Box	IP-65, MC4 compatible
Weight	41 lbs (18.6 kg)
Max. Load	G5 Frame: Wind: 62 psf, 3000 Pa front & back Snow: 125 psf, 6000 Pa front
	G3 Frame: Wind: 50 psf, 2400 Pa front & back Snow: 112 psf, 5400 Pa front
Frame	Class 1 black anodized (highest AAMA rating)

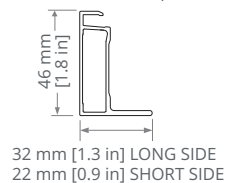
Tests And Certifications	
Standard Tests ⁸	UL1703 (Type 2 Fire Rating), IEC 61215, IEC 61730
Quality Management Certs	ISO 9001:2015, ISO 14001:2015
EHS Compliance	RoHS, OHSAS 18001:2007, lead free, Recycle Scheme, REACH SVHC-163
Sustainability	Cradle to Cradle Certified™ Silver. "Declare." listed.
Ammonia Test	IEC 62716
Desert Test	10.1109/PVSC.2013.6744437
Salt Spray Test	IEC 61701 (maximum severity)
PID Test	1000V: IEC 62804, PVEL 600 hr duration
Available Listings	UL, TUV, MCS, FSEC, CEC



G5 FRAME PROFILE
InvisiMount™ Compatible



G3 FRAME PROFILE
Not InvisiMount Compatible



G5 frames have no mounting holes. Please read the safety and installation guide.

1 SunPower 360 W compared to a Conventional Panel on same-sized arrays (260 W, 16% efficient, approx. 1.6 m²), 4% more energy per watt (based on PVSyst pan files), 0.75%/yr slower degradation (Campeau, Z. et al. "SunPower Module Degradation Rate," SunPower white paper, 2013).

2 Based on search of datasheet values from websites of top 10 manufacturers per IHS, as of January 2017.

3 #1 rank in "Fraunhofer PV Durability Initiative for Solar Modules: Part 3". PVTech Power Magazine, 2015. Campeau, Z. et al. "SunPower Module Degradation Rate," SunPower white paper, 2013.

4 SunPower is rated #1 on Silicon Valley Toxics Coalition's Solar Scorecard.

5 Cradle to Cradle Certified is a multi-attribute certification program that assesses products and materials for safety to human and environmental health, design for future use cycles, and sustainable manufacturing.

6 X-Series and E-Series panels additionally contribute to LEED Materials and Resources credit categories.

7 Standard Test Conditions (1000 W/m² irradiance, AM 1.5, 25° C). NREL calibration Standard: SOMS current, LACCS FF and Voltage.

8 Type 2 fire rating per UL1703:2013, Class C fire rating per UL1703:2002.

See www.sunpower.com/company for more reference information.

For more details, see extended datasheet: www.sunpower.com/solar-resources.

Specifications included in this datasheet are subject to change without notice.

©2018 SunPower Corporation. All rights reserved. SUNPOWER, the SUNPOWER logo, MAXEON, SIGNATURE and InvisiMount are trademarks or registered trademarks of SunPower Corporation.

☎ 1-800-SUNPOWER

527835 Rev A / LTR_US