

**For a Free Quote:**

Web: **EnergyPal.com/solar**

Call: **1-800-990-3725**

Email: **contact@energypal.com**

# **EnergyPal**

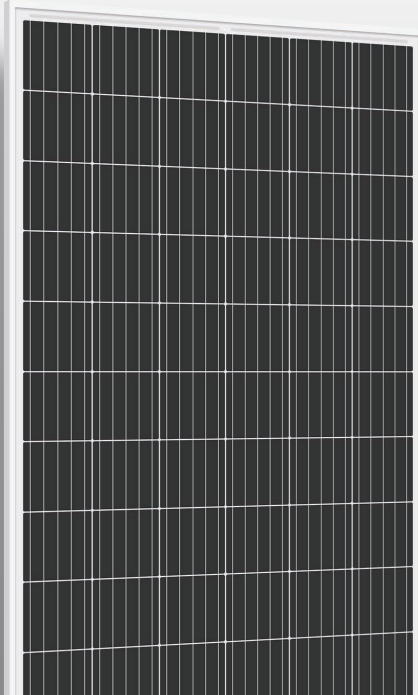
## **Solar Panel Guide Specification Data Sheet**

**Sunrise Energy Co., Ltd.**

**SR-M660L-325W**

**SR-M660320L**

Also available on the web at  
[EnergyPal.com/sunrise-energy-co-ltd-solar-panels/sr-m660320l](http://EnergyPal.com/sunrise-energy-co-ltd-solar-panels/sr-m660320l)



Power Max Series  
Large Dimension Mono Solar Module

SR-M660L SR-M660315L  
SR-M660320L  
315~330W SR-M660325L  
SR-M660330L

IEC61215/IEC61730  
ISO9001:Quality Management System ISO14001:Environmental Management System  
ISO45001:Occupational Health and Safety Management System



PID Resistance



5 Bus Bar solar Cell  
With PERC Technology



High Power Output



Strengthened Mechanical  
Support 5400 Pa Snow  
Load, 2400 Pa Wind Load

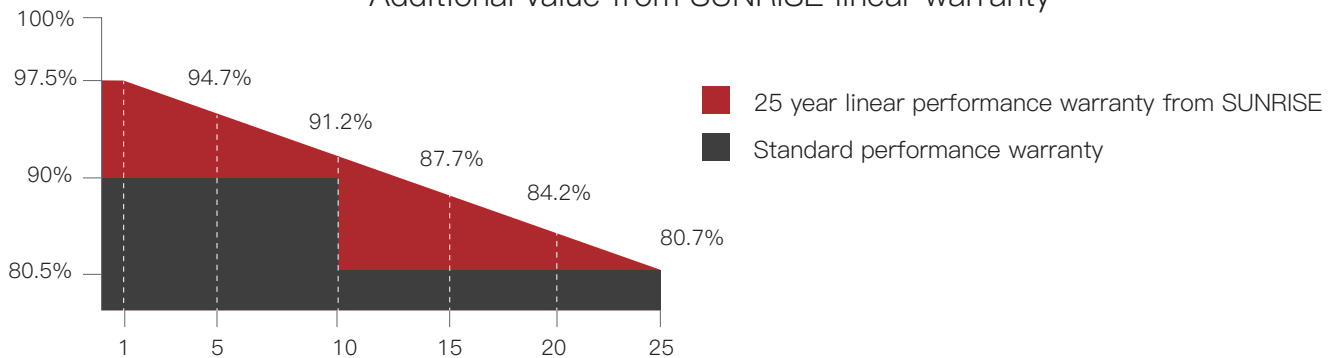


0~3% Positive Tolerance



Better Low-light  
Performance

Additional value from SUNRISE linear warranty

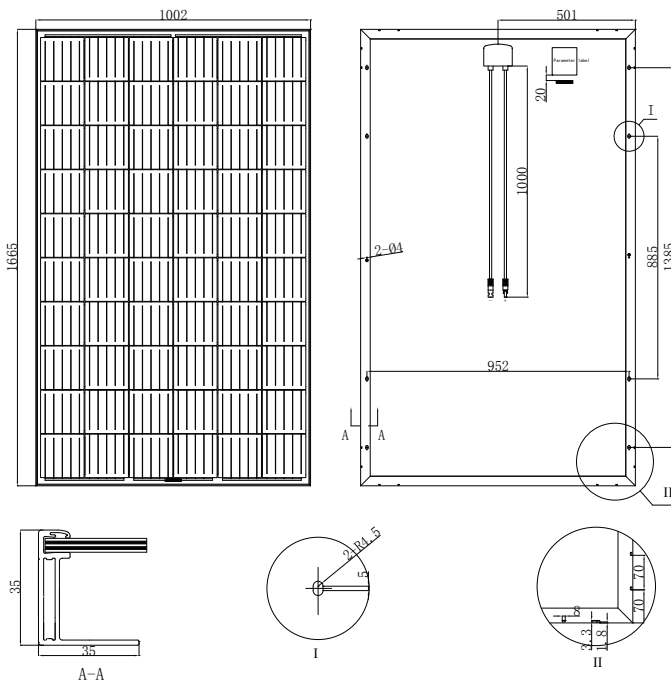


| Module Type                               |         | SR-M660315L                             |       | SR-M660320L |       | SR-M660325L |       | SR-M660330L |      |
|---|---------|---|-------|-------------|-------|-------------|-------|-------------|------|
| Test Environment                          |         | STC                                     | NOCT  | STC         | NOCT  | STC         | NOCT  | STC         | NOCT |
| Tolerance                                 | (%)     | 0~+3                                    |       | 0~+3        |       | 0~+3        |       | 0~+3        |      |
| Module Efficiency                         | (%)     | 18.88                                   |       | 19.18       |       | 19.48       |       | 19.78       |      |
| Maximum Power                             | Pmax(W) | 315                                     | 237   | 320         | 240   | 325         | 243   | 330         | 246  |
| Open Circuit Voltage                      | Voc(V)  | 40.64                                   | 37.59 | 40.88       | 37.82 | 41.12       | 38.1  | 41.36       | 38.2 |
| Short Circuit Current                     | Isc(A)  | 10.06                                   | 8.35  | 10.15       | 8.43  | 10.19       | 8.5   | 10.27       | 8.58 |
| Maximum Power Voltage                     | Vm(V)   | 33.21                                   | 31.23 | 33.41       | 31.42 | 33.61       | 31.62 | 33.82       | 31.8 |
| Maximum Power Current                     | Im(A)   | 9.49                                    | 7.53  | 9.58        | 7.61  | 9.67        | 7.67  | 9.76        | 7.74 |
| Cell Type                                 | (mm)    | 158.75×158.75(Mono-Crystalline Silicon) |       |             |       |             |       |             |      |
| Number of Cells                           | (Pcs)   | 60(6×10)                                |       |             |       |             |       |             |      |
| Maximum System Voltage                    | (V)     | DC1000                                  |       |             |       |             |       |             |      |
| Temp. Coeff. of Voc                       | (%/°C)  | -0.282                                  |       |             |       |             |       |             |      |
| Temp. Coeff. of Isc                       | (%/°C)  | 0.041                                   |       |             |       |             |       |             |      |
| Temp. Coeff. of Pm                        | (%/°C)  | -0.387                                  |       |             |       |             |       |             |      |
| Operating Temperature                     | °C      | -40 to 85                               |       |             |       |             |       |             |      |
| Nominal Operating Cell Temperature (NOCT) | °C      | 45±2                                    |       |             |       |             |       |             |      |
| Max. Series Fuse                          | (A)     | 15                                      |       |             |       |             |       |             |      |
| Pressure Bearing                          | (Pa)    | 5400                                    |       |             |       |             |       |             |      |
| Wind Bearing                              | (Pa)    | 2400                                    |       |             |       |             |       |             |      |

STC: Irradiance 1000W/m<sup>2</sup>, Cell temperature 25°C, AM1.5

NOCT: Irradiance 800W/m<sup>2</sup>, Ambient temperature 20°C, Wind speed 1m/s

## ENGINEERING DRAWINGS

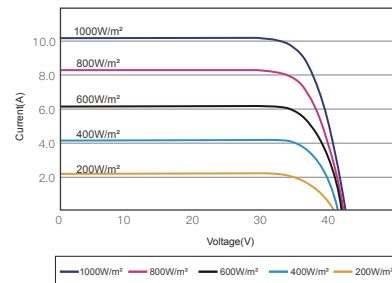


Manufactured in China

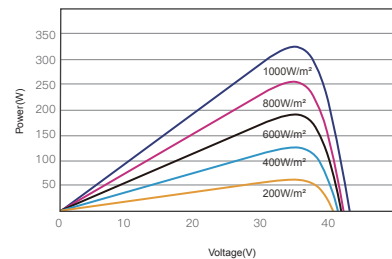
## MATERIAL DETAILS

|                   |  |
|-------------------|--|
| Frame             | Anodized aluminum                                |
| Glass             | 3.2mm low-iron tempered suede glass              |
| Cell              | 6×10 pcs 158.75mm mono solar cell                |
| Junction Box      | Rated Current ≥15A, I <sub>p</sub> ≥67, TÜV & UL |
| Cable & Connector | 4mm <sup>2</sup> , MC4 or MC4 compatible         |

## IV CURVES



I-V CURVES OF PV MODULE(325W)



P-V CURVES OF PV MODULE(325W)

## PACKING DETAILS

|                  |            |               |
|------------------|------------|---------------|
| Dimension        | (mm)       | 1665×1002×35  |
| Weight           | (kg)       | 19            |
| Loading Capacity |            | 924 pcs/40'HC |
| Packing          | pcs/pallet | 30            |