

**For a Free Quote:**

Web: **EnergyPal.com/solar**

Call: **1-800-990-3725**

Email: **contact@energypal.com**

# **EnergyPal**

## **Solar Panel Guide Specification Data Sheet**

**Seraphim Solar System Co., Ltd.**

**SRP-6PB-HV 270-285**

**SRP-280-6PB-HV**

Also available on the web at  
[EnergyPal.com/seraphim-solar-system-co-ltd-solar-panels/srp-280-6pb-hv](http://EnergyPal.com/seraphim-solar-system-co-ltd-solar-panels/srp-280-6pb-hv)

SRP-6PB(-HV) SERIES 6 INCH 60 CELLS

# 270-285w



## KEY FEATURES



Bankable products



Top rank in Photon yield measurement



Safety for salt mist corrosion  
Safety for ammonia corrosion



Safety for fire risk  
(Class C tested in TÜV SÜD and Rheinand)



Outstanding power output capability at low irradiance



Triple 100% Electroluminescence (EL) tests minimize breakage rate



World 1st company to pass "Thresher Test" and "On-site Power Measurement Validation" certificate



Anti-PID products, passing TÜV SÜD system voltage durability test



Tested and certified according to newest IEC standard  
IEC61730-1:2016 IEC61215-1:2016  
IEC61730-2:2016 IEC61215-2:2016

### MANAGEMENT SYSTEM

ISO 9001: Quality management system

ISO 14001: Standard for environmental management system

OHSAS 18001: International standard for occupational health and safety assessment system

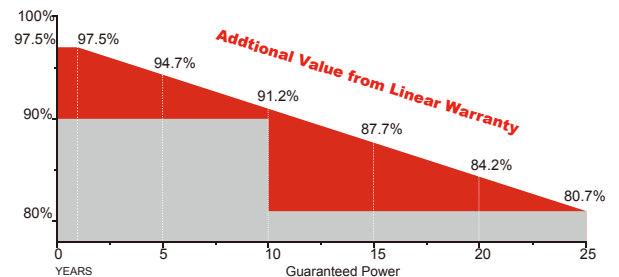
### INSURANCE



### PRODUCT CERTIFICATES



### WARRANTY



Guarantee on product material and workmanship



linear power output warranty

Specifications are subject to change without further notification SRP-DS-EN-2019V1.0 © Copyright 2019 Seraphim



SRP-XXX-6PB: Maximum System Voltage 1000 VDC.

SRP-XXX-6PB-HV: Maximum System Voltage 1500 VDC.

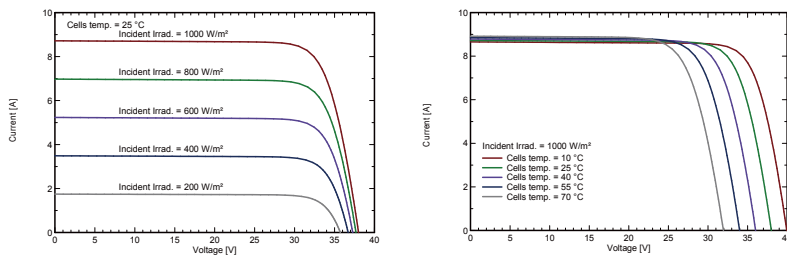
# SRP-6PB(-HV) SERIES 6 INCH 60 CELLS

## Electrical Characteristics

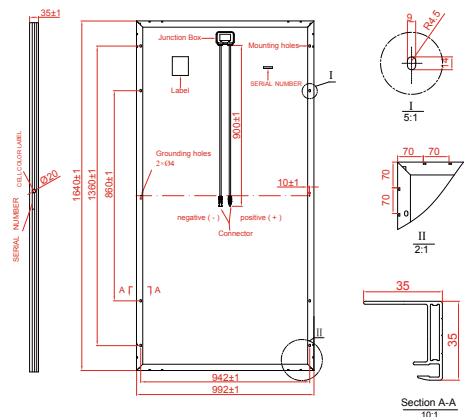
Module Type	SRP-270-6PB SRP-270-6PB-HV		SRP-275-6PB SRP-275-6PB-HV		SRP-280-6PB SRP-280-6PB-HV		SRP-285-6PB SRP-285-6PB-HV	
	STC	NOCT	STC	NOCT	STC	NOCT	STC	NOCT
Maximum Power -P <sub>mp</sub> (W)	270	200	275	204	280	208	285	212
Open Circuit Voltage -V <sub>oc</sub> (V)	38.1	35.2	38.3	35.4	38.5	35.6	38.7	35.8
Short Circuit Current -I <sub>sc</sub> (A)	8.99	7.26	9.08	7.35	9.18	7.44	9.27	7.53
Maximum Power Voltage -V <sub>mp</sub> (V)	31.3	29.2	31.6	29.4	31.8	29.6	32.0	29.8
Maximum Power Current -I <sub>mp</sub> (A)	8.63	6.85	8.71	6.94	8.81	7.03	8.91	7.12
Module Efficiency STC-η <sub>m</sub> (%)	16.60/16.50		16.90/16.80		17.21/17.11		17.52/17.41	
Power Tolerance (W)	(0,+4.99)							
Maximum System Voltage (V)	1000VDC / 1500VDC							
Maximum Series Fuse Rating (A)	20A							
Pmax Temperature Coefficient	-0.39%/°C							
Voc Temperature Coefficient	-0.30 %/°C							
Isc Temperature Coefficient	+0.05 %/°C							
Operating Temperature	-40~+85 °C							
Nominal Operating Cell Temperature	45±2 °C							

STC: Irradiance 1000 W/m<sup>2</sup> module temperature 25°C AM=1.5NOCT: Irradiance 800 W/m<sup>2</sup> ambient temperature 20°C wind speed :1m/s Power measurement tolerance: +/-3%

## Curve



## Technical drawing(SRP-XXX-6PB)



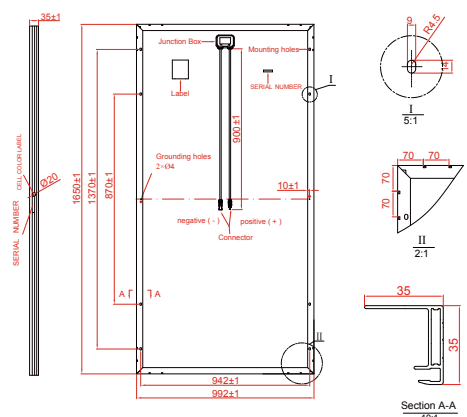
## Mechanical Specifications

External Dimension	1640 x 992 x 35mm/1650 x 992 x 35mm
Weight	17.5kg/18.0kg
Solar Cells	Poly crystalline 156.75 x 156.75 mm (60pcs)
Front Glass	3.2 mm AR coating tempered glass, low iron
Frame	Anodized aluminium alloy
Junction Box	IP67
Output Cables	4.0 mm <sup>2</sup> , cable length:900 mm
Connector	MC4 Compatible
Mechanical Load	5400 Pa

## Packing Configuration

External Dimension	1640 x 992 x 35mm/1650 x 992 x 35mm	
Container	20'GP	40'GP
Pieces per Pallet	30	30
Pallets per Container	12	28
Pieces per Container	360	840

## Technical drawing(SRP-XXX-6PB-HV)



\* All Dimensions in mm.

\* The above drawing is a graphical representation of the product. For engineering quality drawings please contact SERAPHIM.

Specifications are subject to change without further notification SRP-DS-EN-2019V1.0 © Copyright 2019 Seraphim