

For a Free Quote:

Web: **EnergyPal.com/solar**

Call: **1-800-990-3725**

Email: **contact@energypal.com**

EnergyPal

Solar Panel Guide Specification Data Sheet

Seraphim Solar System Co., Ltd.

SRP-6PA-HV 325-340

SRP-325-6PA-HV

Also available on the web at
EnergyPal.com/seraphim-solar-system-co-ltd-solar-panels/srp-325-6pa-hv

SRP-6PA(-HV) SERIES 6 INCH 72 CELLS

325-340_w



KEY FEATURES



Bankable products



Top rank in Photon yield measurement



Safety for salt mist corrosion
Safety for ammonia corrosion



Safety for fire risk
(Class C tested in TÜV SÜD and Rheinand)



Outstanding power output capability at low irradiance



Triple 100% Electroluminescence (EL) tests minimize breakage rate



World 1st company to pass "Thresher Test" and "On-site Power Measurement Validation" certificate



Anti-PID products, passing TÜV SÜD system voltage durability test



Tested and certified according to newest IEC standard
IEC61730-1:2016 IEC61215-1:2016
IEC61730-2:2016 IEC61215-2:2016

MANAGEMENT SYSTEM

ISO 9001: Quality management system
ISO 14001: Standard for environmental management system
OHSAS 18001: International standard for occupational health and safety assessment system

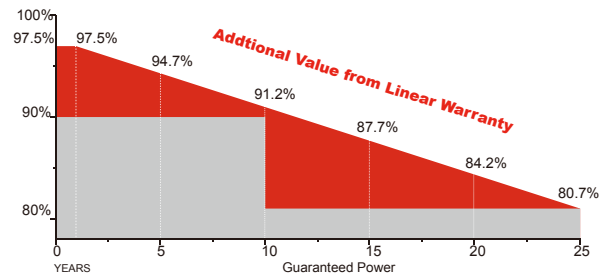
INSURANCE



PRODUCT CERTIFICATES



WARRANTY



Guarantee on product material and workmanship



linear power output warranty

Specifications are subject to change without further notification SRP-DS-EN-2019V1.0 © Copyright 2019 Seraphim



SERAPHIM SOLAR SYSTEM CO., LTD.

www.seraphim-energy.com

info@seraphim-energy.com



SRP-XXX-6PA: Maximum System Voltage 1000 VDC.

SRP-XXX-6PA-HV: Maximum System Voltage 1500 VDC.

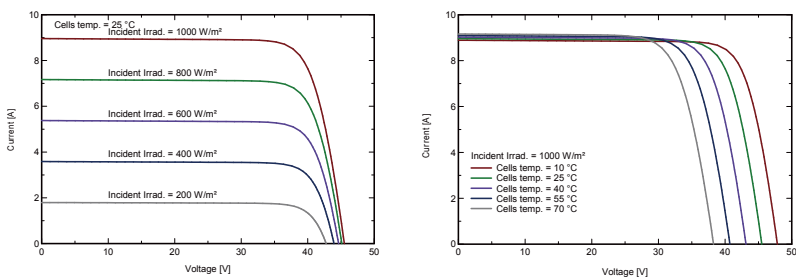
SRP-6PA(-HV) SERIES 6 INCH 72 CELLS

Electrical Characteristics

Module Type	SRP-325-6PA SRP-325-6PA-HV		SRP-330-6PA SRP-330-6PA-HV		SRP-335-6PA SRP-335-6PA-HV		SRP-340-6PA SRP-340-6PA-HV	
	STC	NOCT	STC	NOCT	STC	NOCT	STC	NOCT
Maximum Power -P _{mp} (W)	325	240	330	244	335	248	340	252
Open Circuit Voltage -V _{oc} (V)	45.7	42.2	45.9	42.4	46.2	42.6	46.4	42.8
Short Circuit Current -I _{sc} (A)	9.03	7.30	9.12	7.37	9.20	7.43	9.30	7.49
Maximum Power Voltage -V _{mp} (V)	37.3	34.8	37.5	35.0	37.7	35.3	37.9	35.5
Maximum Power Current -I _{mp} (A)	8.72	6.89	8.80	6.98	8.89	7.02	8.98	7.10
Module Efficiency STC-η _m (%)	16.75/16.63		17.01/16.89		17.26/17.14		17.52/17.40	
Power Tolerance (W)	(0,+4.99)							
Maximum System Voltage (V)	1000VDC / 1500VDC							
Maximum Series Fuse Rating (A)	20A							
Pmax Temperature Coefficient	-0.39%/°C							
Voc Temperature Coefficient	-0.30 %/°C							
Isc Temperature Coefficient	+0.05 %/°C							
Operating Temperature	-40~+85 °C							
Nominal Operating Cell Temperature	45±2 °C							

STC: Irradiance 1000 W/m² module temperature 25°C AM=1.5NOCT: Irradiance 800 W/m² ambient temperature 20°C wind speed :1m/s Power measurement tolerance: +/-3%

Curve



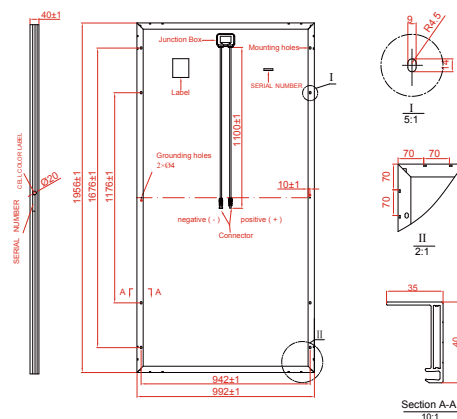
Mechanical Specifications

External Dimension	1956 x 992 x 40mm/1970 x 992 x 40mm
Weight	21.5kg/22.0kg
Solar Cells	Poly crystalline 156.75 x 156.75 mm (72pcs)
Front Glass	3.2 mm AR coating tempered glass, low iron
Frame	Anodized aluminium alloy
Junction Box	IP67
Output Cables	4.0 mm ² , cable length:1100 mm
Connector	MC4 Compatible
Mechanical Load	5400 Pa

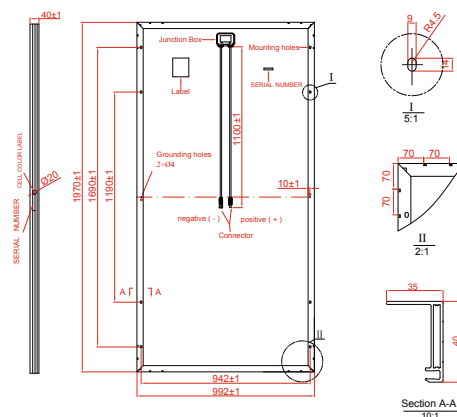
Packing Configuration

External Dimension	1956 x 992 x 40mm/1970 x 992 x 40mm	
Container	20'GP	40'GP
Pieces per Pallet	27	27
Pallets per Container	10	22
Pieces per Container	270	594

Technical drawing(SRP-XXX-6PA)



Technical drawing(SRP-XXX-6PA-HV)



* All Dimensions in mm.

* The above drawing is a graphical representation of the product. For engineering quality drawings please contact SERAPHIM.

Specifications are subject to change without further notification SRP-DS-EN-2019V1.0 © Copyright 2019 Seraphim



SERAPHIM SOLAR SYSTEM CO., LTD.

www.seraphim-energy.com

info@seraphim-energy.com