

For a Free Quote:

Web: **EnergyPal.com/solar**

Call: **1-800-990-3725**

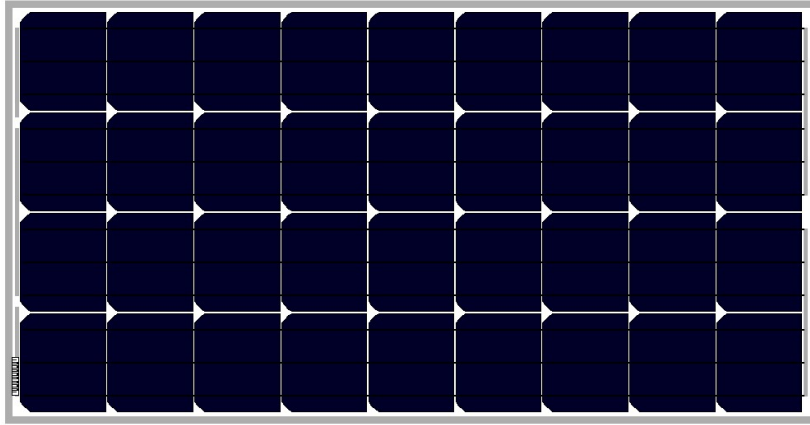
Email: **contact@energypal.com**

EnergyPal

Solar Panel Guide Specification Data Sheet

**Senta Energy Co., Ltd.
ST5 100W-Mono
ST100M6-36**

Also available on the web at
EnergyPal.com/senta-energy-co-ltd-solar-panels/st100m6-36



Electrical Performance (STC: AM 1.5, 1000W/m², 25°C)

Module Type	ST130M6-36	ST120M6-36	ST110M6-36	ST100M6-36	ST90M6-36	ST80M6-36	ST70M6-36
Maximum Power (Pmax / W)	130	120	110	100	90	80	70
Power Tolerance	0 ~ +3%	0 ~ +3%	0 ~ +3%	0 ~ +3%	0 ~ +3%	0 ~ +3%	0 ~ +3%
Maximum Power Voltage (Vm / V)	17.9	17.8	18.1	18.1	18.1	18.2	18.1
Maximum Power Current (Im / A)	7.26	6.74	6.08	5.52	4.97	4.41	3.87
Open Circuit Voltage (Voc / V)	21.5	21.4	22.1	22.1	22.1	22.3	22.2
Short Circuit Current (Isc / A)	7.96	7.39	6.44	5.86	5.27	4.66	4.19
Module Efficiency (%)	15.16	15.05	14.66	14.92	14.91	15.50	14.51

System Design

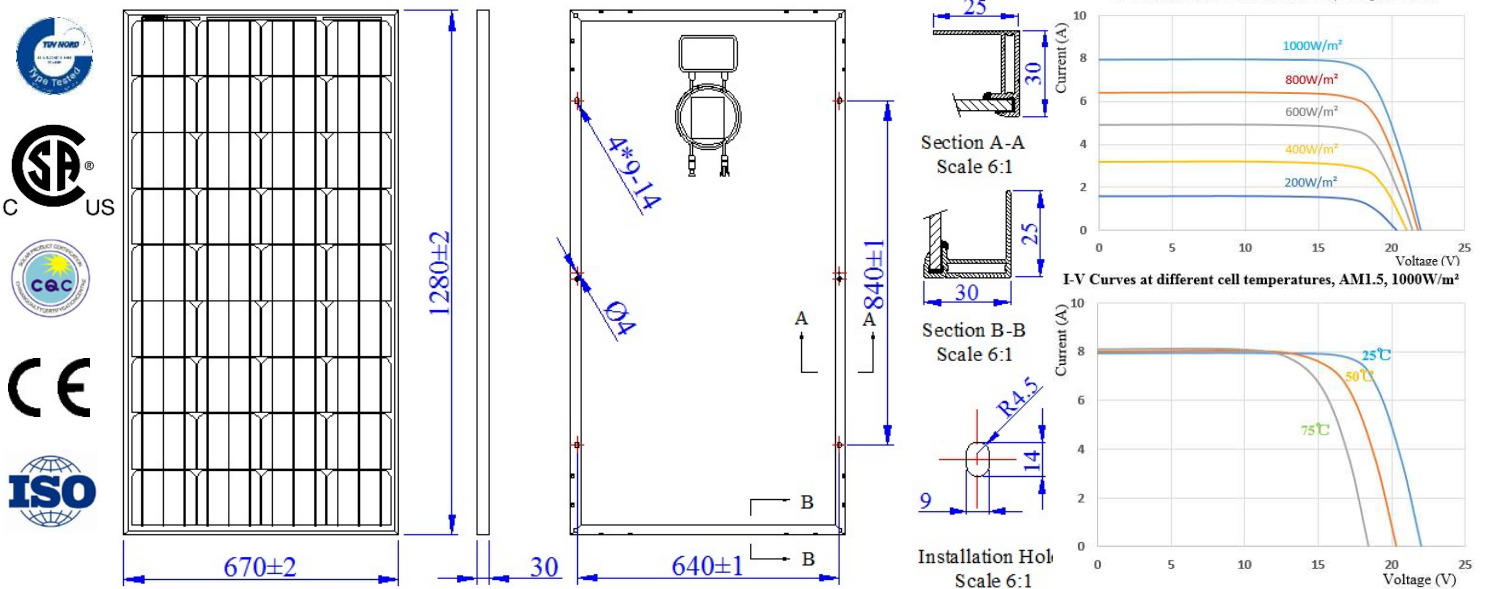
Static Load (Front/Back)	5400Pa/2400Pa
Application class	Class A
Fire safety class (IEC61730)	Class C

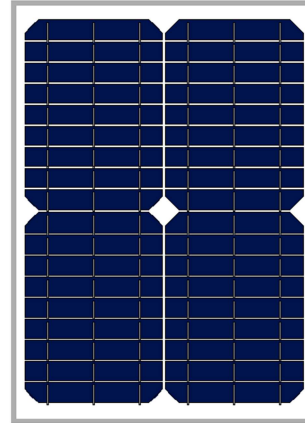
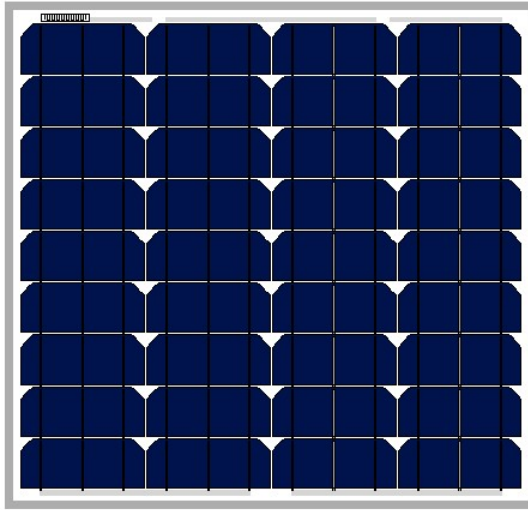
Operation Conditions

Maximum System Voltage (VDC)	1000 (IEC) / 600 (UL)
Maximum Series Fuse Rating (A)	10
Operating Module Temperature (°C)	-40 to +85

Mechanical Properties

Dimensions (L×W×H / mm)	1280×670×30	1190×670×30	1120×670×30	1000×670×30	900×670×30	770×670×30	720×670×30
Installation holes distance (L×W/mm)	840×640	780×640	600×640	500×640	450×640	590×640	480×640
Weight (Kg)	11.2	10.9	8.6	7.8	7	6	6.6
Sizes of Cells (L×W/mm)	156×135	156×124.8	156×117	156×104	156×91	156×78	156×73
No. of Cells (pcs)	36 (4×9)	36 (4×9)	36 (4×9)	36 (4×9)	36 (4×9)	36 (4×9)	36 (4×9)
Sizes of Junction box cable (mm ² /mm)	4 / 900	4 / 900	4 / 900	4 / 900	2.5 / 900	2.5 / 900	2.5 / 900
Container 20GP(pcs)	640	640	680	680	1088	1088	1120
Container 40HQ(pcs)	1632	1728	2040	2244	2448	2856	2880





Electrical Performance (STC: AM 1.5, 1000W/m², 25°C)

Module Type	ST60M6-36	ST50M6-36	ST40M6-36	ST30M6-36	ST20M6-36	ST10M-36	ST5M6-18
Maximum Power (Pmax / W)	60	50	40	30	20	10	5
Power Tolerance	0 ~ +3%	0 ~ +3%	0 ~ +3%	0 ~ +3%	0 ~ +3%	0 ~ +3%	0 ~ +3%
Maximum Power Voltage (Vm / V)	18.1	18.1	18.2	18.0	17.7	17.5	8.4
Maximum Power Current (Im / A)	3.31	2.76	2.2	1.67	1.13	0.57	0.60
Open Circuit Voltage (Voc / V)	22.1	22.1	22.2	21.9	21.7	21.5	10.1
Short Circuit Current (Isc / A)	3.51	2.93	2.33	1.77	1.20	0.61	0.68
Module Efficiency (%)	13.8	13.8	14.5	13.2	11.9	11.4	10.4

System Design

Static Load (Front/Back)	5400Pa/2400Pa	Maximum System Voltage (VDC)	600
Application class	Class A	Maximum Series Fuse Rating (A)	10
Fire safety class (IEC61730)	Class C	Operating Module Temperature (°C)	-40 to +85

Operation Conditions

Mechanical Properties

Dimensions (L×W×H / mm)	650×670×30	540×670×30	540×510×25	650×350×25	480×350×17	340×250×17	260×185×17
Installation holes distance (L×W/mm)	325×640	270×640	270×477	420×317	240×317	170×228	160×165
Weight (Kg)	5	4.2	3.2	2.6	2	1	1.3
Sizes of Cells (L×W/mm)	156×65	156×52	156×39	156×31.2	156×21.88/23.3	78×21.88/23.3	78×21.88/23.3
No. of Cells (pcs)	36 (4×9)	36 (4×9)	36 (4×9)	36 (2×18)	36 (2×18)	36 (4×9)	18 (2×9)
Sizes of Junction box cable (mm ² /mm)	2.5 / 600	2.5 / 600	2.5 / 600	2.5 / 600	0 / 0	0 / 0	0 / 0
Container 20GP(pcs)	1088	1440	2400	2400	4800	9600	19440
Container 40HQ(pcs)	3264	4320	6400	9600	9600	28800	40824

