

**For a Free Quote:**

**Web: [EnergyPal.com/solar](http://EnergyPal.com/solar)**

**Call: 1-800-990-3725**

**Email: [contact@energypal.com](mailto:contact@energypal.com)**

# **EnergyPal**

## **Solar Panel Guide Specification Data Sheet**

**Solartif Sdn Bhd**

**Poly 200-220**

**STF – 220P6**

Also available on the web at  
[EnergyPal.com/solartif-sdn-bhd-solar-panels/stf-220p6](http://EnergyPal.com/solartif-sdn-bhd-solar-panels/stf-220p6)

## FEATURES

- A range of PV modules (200-220W) using square poly-crystalline silicon solar cells with 16.0% module conversion efficiency.
- Photovoltaic module with bypass diode minimize the power drop caused by shade.
- Textured cell surface to reduce the reflection of sunlight and BSF (Back Surface Field) structure to improve cell conversion efficiency.
- White tempered glass, EVA resin and a weatherproof film, plus aluminum frames for extended outdoor use.
- Output terminal: Lead wire with waterproof connector.
- Certification: IEC 61215/61730



### POLY-CRYSTALLINE SILICON PHOTOVOLTAIC (PV) MODULES

These poly-crystalline module features 16.0% encapsulated cell efficiency and 15.4% module efficiency. The STF-200P6/210P6/220P6 module allows for maximum usable power per square meter of solar array.

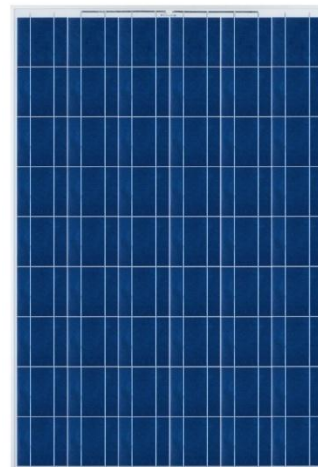
A safe, clean, reliable source of energy, SolarTIF's STF-200P6/210P6/220P6 photovoltaic module is designed for medium to large electrical power requirements. Based on the technology of crystal silicon solar cells developed over 5 years, this module has superb durability to withstand rigorous operating conditions and is suitable for grid connected systems.

Common applications for the STF-200P6/210P6/220P6 include residence, office building, solar power stations and solar suburb. As the world's leading manufacturer of photovoltaic modules, SolarTIF produces extensive line of high power modules for every electrical power requirement.



### Specification

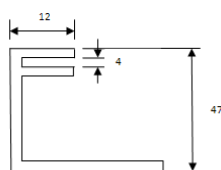
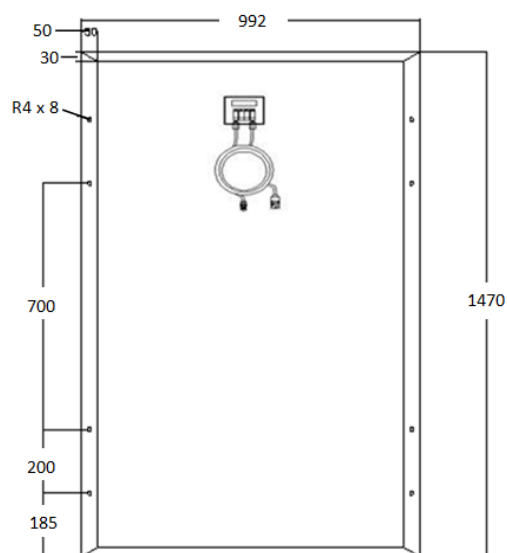
Cell	156mm x 156mm
No. of cell and connections	54 (6x9)
Dimension of module (mm)	1470 x 992 x 47
Weight (kg)	20.0



### Temperature and coefficient

NOCT	43.6°C
Short-circuit current temp coefficient	6.928mA/ °C
Open-circuit voltage temp coefficient	-0.068V/ °C
Peak power temp coefficient	-0.391W/ °C
Power tolerance	0 > ±3%

### Back view



### Electrical Characteristic

Model	STF – 200P6	STF – 210P6	STF – 220P6
Rated Power (Pmax)	200W ± 3%	210 ± 3%	220 ± 3%
Open- circuit voltage (Voc)	33.2 V	33.2 V	33.2 V
Short – circuit current ( Isc )	8.14 A	9.14 A	9.9 A
Voltage at Pmax (Vmp)	26.4 V	26.4 V	26.4 V
Current at Pmax( Imp )	7.57 A	7.95 A	8.35 A



## SolarTIF Sdn Bhd

Lot D1 & D2, SME Bank Factory Complex, Chendering Industrial Estate, Chendering, 21080 Kuala Terengganu, Terengganu, Malaysia.

Tel: (609) 617 1320 / (609) 617 6059 Fax : (609) 622 6059  
 Email : admin@solartif.com.my Website : www.solartif.com.my