

For a Free Quote:

Web: **EnergyPal.com/solar**

Call: **1-800-990-3725**

Email: **contact@energypal.com**

EnergyPal

Solar Panel Guide Specification Data Sheet

Shenzhen Xinhonghua Technology Co., Ltd.

SW-M140-170W

SW-M170

Also available on the web at

EnergyPal.com/shenzhen-xinhonghua-technology-co-ltd-solar-panels/sw-m170

MONOCRYSTALLINE SOLAR PANEL

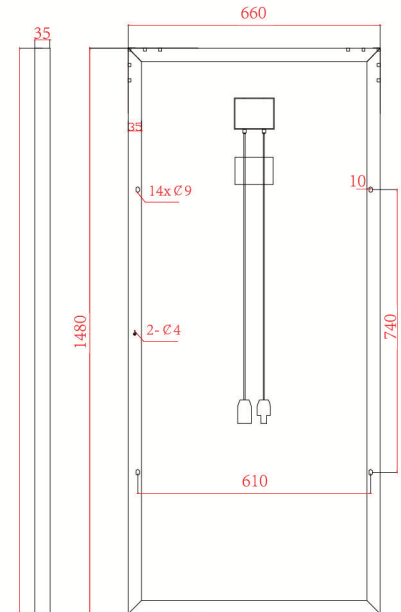
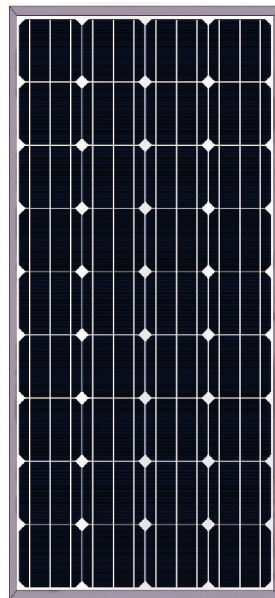
140W/150W/155W/160W/170W

MECHANICAL PARAMETERS

·Cell (mm)	Mono 156*156
·Number of Cells	36 (4X9)
·Output Cables	4mm ² , 900mm length
·Connectors	MC4 Compatible
·Junction Box	IP65
·Dimension	1480*660*35mm
·Weight	12Kg

WORKING CONDITIONS

·Max System Voltage	1000VDC
·Working Temperature	-40°C to +85°C
·Maximum Series Fuse	10A
·Max Wind Load	2400Pa
·Max Snow Load	5400Pa
·NOCT	45±2°C
·Application Class	Class A



ELECTRICAL PARAMETERS

·Peak Power at STC (Pmax/W)	140W	150W	155W	160W	170W
·Maximum Power Voltage(Vmp/V)	18.18	18.18	18.28	18.52	18.67
·Maximum Power Current(Imp/A)	7.71	8.26	8.48	8.64	9.11
·Open Circuit Voltage(Voc/V)	22.36	22.36	22.48	22.77	22.93
·Short Circuit Current (Isc/A)	8.15	8.71	8.95	9.12	9.55
·Power Tolerance	±3%				
·Maximum System Voltage	1000VDC				
·Temperature Coefficient of Pm	-0.41%/°C				
·Temperature Coefficient of Voc	-0.33%/°C				
·Temperature Coefficient of Isc	+0.049%/°C				
·Standard Test Condition (STC)	1000W/m ² , 1.5 AM spectrum 25 °C cell temperature				

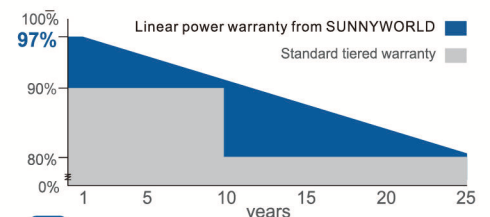
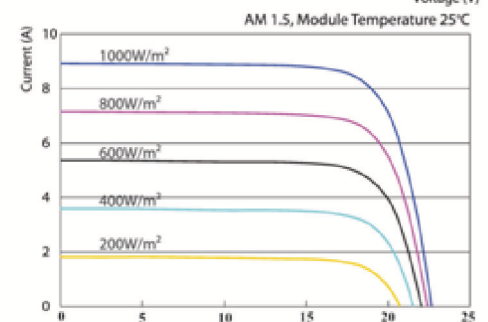
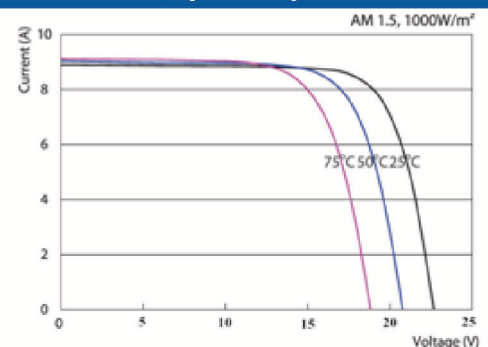
NOCT (Under Normal Operating Cell Temperature, Irradiance of 800 W/m², spectrum AM 1.5, ambient temperature 20°C, wind speed 1 m/s)

·Peak Power at NOCT (Pmax/W)	102.11	109.6	113.3	117.9	124.58
·Maximum Power Voltage(Vmp/V)	16.74	16.74	16.79	17.02	17.16
·Maximum Power Current(Imp/A)	6.1	6.55	6.75	6.86	7.26
·Open Circuit Voltage(Voc/V)	20.75	20.75	20.86	21.11	24.68
·Short Circuit Current (Isc/A)	6.51	6.96	7.15	7.29	7.64

PACKING CONFIGURATION

·Container	20GP	40HQ
·Pieces per pallet	50	26
·Pieces per Container	500	1100

I-V CURVE(155W)



25 25-year power warranty

*Based on customer's requirements and contract terms

