

**For a Free Quote:**

**Web: [EnergyPal.com/solar](http://EnergyPal.com/solar)**

**Call: 1-800-990-3725**

**Email: [contact@energypal.com](mailto:contact@energypal.com)**

# **EnergyPal**

## **Solar Panel Guide Specification Data Sheet**

**DONGGUAN SUNWORTH NEW ENERGY TECH  
CO.,LTD  
SW010-025M  
SW015M**

Also available on the web at  
[EnergyPal.com/dongguan-sunworth-new-energy-tech-co-ltd-solar-panels/sw015m](http://EnergyPal.com/dongguan-sunworth-new-energy-tech-co-ltd-solar-panels/sw015m)

## Company

Sunworth solar, we commit ourselves to R&D, manufacture and technical innovation on PV modules and solar power system. To provide high quality products with various specifications for customers is always our pursuit.

## Characteristics

- Use high quality solar cells to advanced encapsulation
- Adopt high transparent low-iron tempered glass, high quality anti-UV EVA and back sheet.
- With multi-ply performance testing for each module, to ensure the product quality and output performance.
- Using anodization aluminum frame with anticorrosion, to ensure solar module working under extremely and badly outdoors environment



## Warranty

- 20 years power output warranty, 90% power output for 5years, and 80% power output for 20years.
- 3 years workmanship warranty.

## Quality and safety

- ISO9001:2008 certified supplier, we provide world first class solar products for clients.
- IEC 61215, IEC 61730, IEC, CQC, CGC, CE, approved.



## Electrical Characteristics

Model No.	SW010M	SW015M	SW020M	SW025M
Maximum Power (Pmax)	10W	15W	20W	25W
Max-power Voltage (Vmp)	18.6V	18.6V	18.6V	18.6V
Max-power Current (Imp)	0.54A	0.81A	1.08A	1.34A
Open-circuit Voltage (Voc)	22.5V	22.5V	22.5V	22.5V
Short-circuit Current (Isc)	0.59A	0.87A	1.18A	1.46A
Module Efficiency	11.3%	12.6%	13.1%	13.7%
Operating Temperature	-40°C~+85°C			
Maximum System Voltage	600Vdc			
Maximum Series Fuse Rating	10A			
Power tolerance	±3%			

\*STC condition: 1000 W/m<sup>2</sup>, 1.5AM and 25°C cell temperature.

## Temperature characteristics

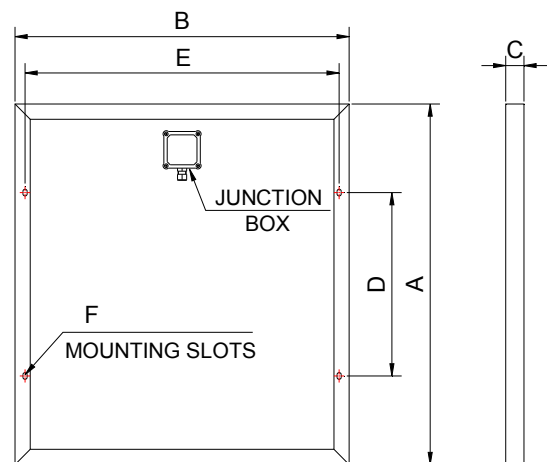
NOCT	46°C±2°C
Temperature Co-efficient of Pmax	-0.42%/°C
Temperature Co-efficient of Voc	-0.35%/°C
Temperature Co-efficient of Isc	0.05%/°C

## Mechanical characteristics

Model No.	SW010M	SW015M	SW020M	SW025M
Cell Type	Monocrystalline silicon 156mm cutting			
Cell Arrangement	36(2*18)	36(2*18)	36(2*18)	36(2*18)
Dimensions	340*260*15mm	350*340*18mm	450*340*18mm	535*340*18mm
Weight	1.0Kg	1.3Kg	1.7Kg	2.0Kg
Front Cover	3.2mm tempered glass			
Frame Material	Anodized aluminium alloy			
Junction Box	IP65 rated			
Output Cables	Optional			
Connectors	Optional			

## Dimensions

Model No.	Unit: mm			
	SW010M	SW015M	SW020M	SW025M
<b>A</b>	260	350	450	535
<b>B</b>	340	340	340	340
<b>C</b>	15	18	18	18
<b>D</b>	100	150	200	250
<b>E</b>	319	316	316	316
<b>F</b>	4-∅5	4-∅6	4-∅6	4-∅6



## Packing

Model No.	SW010M	SW015M	SW020M	SW025M
Packing method	Carton & Pallet	Carton & Pallet	Carton & Pallet	Carton & Pallet
20'GP (Ref.)	10500	6300	5100	4200
40'GP (Ref.)	22400	13500	10800	9000

SUNWORTH SOLAR ENERGY CO., LTD

TEL: +86-769-2332 0882

Website: [www.sun-worth.com](http://www.sun-worth.com)

E-mail: [sales@sun-worth.com](mailto:sales@sun-worth.com)