

**For a Free Quote:**

**Web: [EnergyPal.com/solar](http://EnergyPal.com/solar)**

**Call: 1-800-990-3725**

**Email: [contact@energypal.com](mailto:contact@energypal.com)**

# **EnergyPal**

## **Solar Panel Guide Specification Data Sheet**

**DONGGUAN SUNWORTH NEW ENERGY TECH  
CO.,LTD  
SW030-045P  
SW035P**

Also available on the web at  
[EnergyPal.com/dongguan-sunworth-new-energy-tech-co-ltd-solar-panels/sw035p](http://EnergyPal.com/dongguan-sunworth-new-energy-tech-co-ltd-solar-panels/sw035p)



### Company

Sunworth solar, we commit ourselves to R&D, manufacture and technical innovation on PV modules and solar power system. To provide high quality products with various specifications for customers is always our pursuit.

### Characteristics

- Use high quality solar cells to advanced encapsulation
- Adopt high transparent low-iron tempered glass, high quality anti-UV EVA and back sheet.
- With multi-ply performance testing for each module, to ensure the product quality and output performance.
- Using anodization aluminum frame with anticorrosion, to ensure solar module working under extremely and badly outdoors environment



### Warranty

- 20 years power output warranty, 90% power output for 5years, and 80% power output for 20years.
- 3 years workmanship warranty.

### Quality and safety

- ISO9001:2008 certified supplier, we provide world first class solar products for clients.
- IEC 61215, IEC 61730, IEC, CQC, CGC, CE, approved.



### Electrical Characteristics

Model No.	SW030P	SW035P	SW040P	SW045P
Maximum Power (Pmax)	30W	35W	40W	45W
Max-power Voltage (Vmp)	18.1V	18.1V	18.1V	18.1V
Max-power Current (Imp)	1.66A	1.93A	2.21A	2.49A
Open-circuit Voltage (Voc)	21.8V	21.8V	21.8V	21.8V
Short-circuit Current (Isc)	1.77A	2.10A	2.39A	2.69A
Module Efficiency	14.0%	13.7%	13.6%	13.8%
Operating Temperature	-40°C~+85°C			
Maximum System Voltage	600Vdc			
Maximum Series Fuse Rating	10A			
Power tolerance	±3%			

\*STC condition: 1000 W/m<sup>2</sup>,1.5AM and 25°C cell temperature.



### Temperature characteristics

NOCT	46°C±2°C
Temperature Co-efficient of Pmax	-0.398%/°C
Temperature Co-efficient of Voc	-0.34%/°C
Temperature Co-efficient of Isc	0.0576%/°C

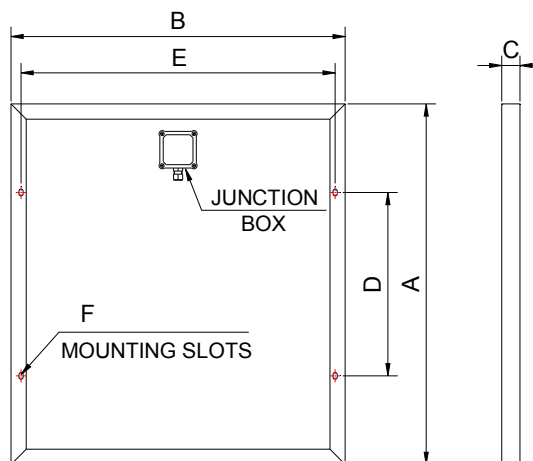
### Mechanical characteristics

Model No.	SW030P	SW035P	SW040P	SW045P
Cell Type	Polycrystalline silicon 156mm cutting			
Cell Arrangement	36(2*18)	36(2*18)	36(4*9)	36(4*9)
Dimensions	630*340*18mm	750*340*20mm	660*445*20mm	660*495*20mm
Weight	2.4Kg	2.8Kg	3.1Kg	3.3Kg
Front Cover	3.2mm tempered glass			
Frame Material	Anodized aluminium alloy			
Junction Box	IP65 rated			
Output Cables	Optional			
Connectors	Optional			

### Dimensions

Unit: mm

Model No.	SW030P	SW035P	SW040P	SW045P
<b>A</b>	630	750	445	495
<b>B</b>	340	340	660	660
<b>C</b>	18	20	20	20
<b>D</b>	350	400	180	200
<b>E</b>	316	314	634	634
<b>F</b>	4-∅6	4-∅6*9	4-∅6*9	4-∅6*9



### Packing

Model No.	SW030P	SW035P	SW040P	SW045P
Packing method	Carton & Pallet	Carton & Pallet	Carton & Pallet	Carton & Pallet
20'GP (Ref.)	3600	2800	2652	2340
40'GP (Ref.)	7500	6000	5616	4992

### SUNWORTH SOLAR ENERGY CO., LTD

TEL: +86-769-2332 0882

Website: www.sun-worth.com

E-mail: sales@sun-worth.com