

For a Free Quote:

Web: EnergyPal.com/solar

Call: 1-800-990-3725

Email: contact@energypal.com

EnergyPal

Solar Panel Guide Specification Data Sheet

**DONGGUAN SUNWORTH NEW ENERGY TECH
CO.,LTD
SW050-060P
SW055P**

Also available on the web at
EnergyPal.com/dongguan-sunworth-new-energy-tech-co-ltd-solar-panels/sw055p



Company

Sunworth solar, we commit ourselves to R&D, manufacture and technical innovation on PV modules and solar power system. To provide high quality products with various specifications for customers is always our pursuit.

Characteristics

- Use high quality solar cells to advanced encapsulation
- Adopt high transparent low-iron tempered glass, high quality anti-UV EVA and back sheet.
- With multi-ply performance testing for each module, to ensure the product quality and output performance.
- Using anodization aluminum frame with anticorrosion, to ensure solar module working under extremely and badly outdoors environment



Warranty

- 20 years power output warranty, 90% power output for 5years, and 80% power output for 20years.
- 3 years workmanship warranty.

Quality and safety

- ISO9001:2008 certified supplier, we provide world first class solar products for clients.
- IEC 61215, IEC 61730, IEC, CQC, CGC, CE, approved.



Electrical Characteristics

Model No.	SW050P	SW055P	SW060P
Maximum Power (Pmax)	50W	55W	60W
Max-power Voltage (Vmp)	18.2V	18.1V	18.1V
Max-power Current (Imp)	2.75A	3.04A	3.31A
Open-circuit Voltage (Voc)	22.1V	21.8V	21.8V
Short-circuit Current (Isc)	2.98A	3.28A	3.58A
Module Efficiency	14.3%	14.1%	14.2%
Operating Temperature	-40°C~+85°C		
Maximum System Voltage	600Vdc		
Maximum Series Fuse Rating	10A		
Power tolerance	±3%		

*STC condition: 1000 W/m²,1.5AM and 25°C cell temperature.



Temperature characteristics

NOCT	46°C±2°C
Temperature Co-efficient of Pmax	-0.398%/°C
Temperature Co-efficient of Voc	-0.34%/°C
Temperature Co-efficient of Isc	0.0576%/°C

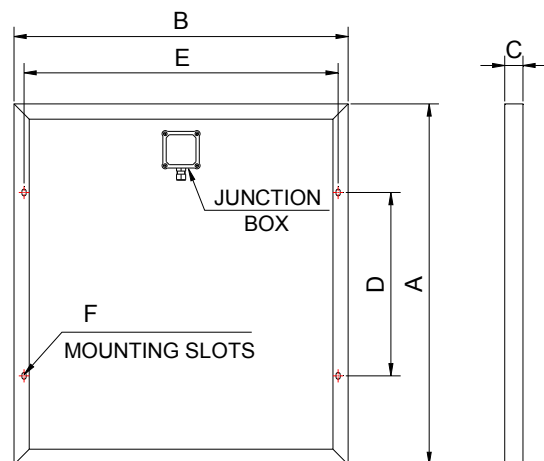
Mechanical characteristics

Model No.	SW050P	SW055P	SW060P
Cell Type	Polycrystalline silicon 156mm cutting		
Cell Arrangement	36(4*9)	36(4*9)	36(4*9)
Dimensions	660*530*20mm	660*590*20mm	660*640*20mm
Weight	3.7Kg	4.1Kg	4.5Kg
Front Cover	3.2mm tempered glass		
Frame Material	Anodized aluminium alloy		
Junction Box	IP65 rated		
Output Cables	Optional		
Connectors	Optional		

Dimensions

Unit: mm

Model No.	SW050P	SW055P	SW060P
A	530	590	640
B	660	660	660
C	20	20	20
D	230	280	330
E	634	634	634
F	4-ø6*9	4-ø6*9	4-ø6*9



Packing

Model No.	SW050P	SW055P	SW060P
Packing method	Carton & Pallet	Carton & Pallet	Carton & Pallet
20'GP (Ref.)	2520	1872	1872
40'GP (Ref.)	5208	4212	4212

SUNWORTH SOLAR ENERGY CO., LTD

TEL: +86-769-2332 0882

Website: www.sun-worth.com

E-mail: sales@sun-worth.com