

**For a Free Quote:**

**Web: [EnergyPal.com/solar](http://EnergyPal.com/solar)**

**Call: 1-800-990-3725**

**Email: [contact@energypal.com](mailto:contact@energypal.com)**

# **EnergyPal**

## **Solar Panel Guide Specification Data Sheet**

**Shenzhen Suoyang New Energy Co., Ltd.**

**SY-54-240-260WM**

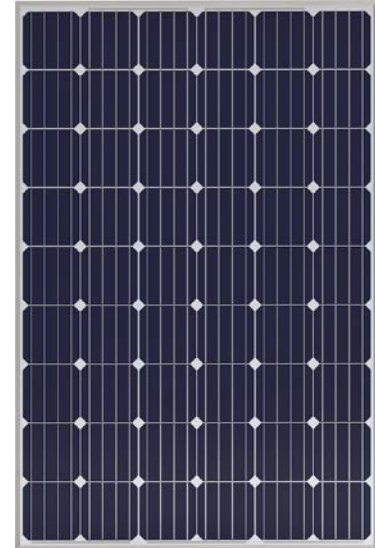
**SY260WM**

Also available on the web at

[EnergyPal.com/shenzhen-suoyang-new-energy-co-ltd-solar-panels/sy260wm](http://EnergyPal.com/shenzhen-suoyang-new-energy-co-ltd-solar-panels/sy260wm)

**PRODUCT SPECIFICATION**

Type Of Module	SY-240WM	SY-245WM	SY-250WM	SY-255WM	SY-260WM
Maximum Power (W)	240	245	250	255	260
Tolerance (%)	± 3%	± 3%	± 3%	± 3%	± 3%
Open Circuit Voltage (V)	33.9	34	34.1	34.2	34.3
Short Circuit Current (A)	8.89	9.04	9.19	9.34	9.49
Maximum Power Voltage (V)	28.2	28.3	28.4	28.5	28.6
Maximum Power Current (A)	8.51	8.66	8.8	8.95	9.09
Module Efficiency (%)	16.3	16.7	17	17.4	17.7
Solar Cell Efficiency (%)	18.3	18.7	19	19.3	19.6
Series Fuse Rating (A)	15	15	15	15	15
Terminal Box	IP65	IP65	IP65	IP65	IP65
Maximum system voltage (V)	DC1000	DC1000	DC1000	DC1000	DC1000
Operating Temperature(°C)	-40°C -- 85°C	-40°C -- 85°C	-40°C -- 85°C	-40°C -- 85°C	-40°C -- 85°C



**PRODUCT FEATURE**

- Bypass diode minimizes the power drop by shade.
- The conversion efficiency of solar cell is above 18.0%.
- White tempered glass ,EVA resin,weather proof film and anodized aluminum frame to provide efficient protection from the severest environmental conditions.
- Waterproof.Perfect for grid applications.
- Product guarantee 10 years.

**Quality Assurance**

- Electrical Insulation test
- Outdoor exposure test
- Hot-spot endurance test
- UV-exposure
- Thermal cycling test
- Humidity freeze test
- Damp heat Test
- Robustness of terminations test
- Wet leakage current test
- Mechanical load test
- Hail impact test
- Bypass diode thermal test

**Electric Performance Typical Performance Characteristics**

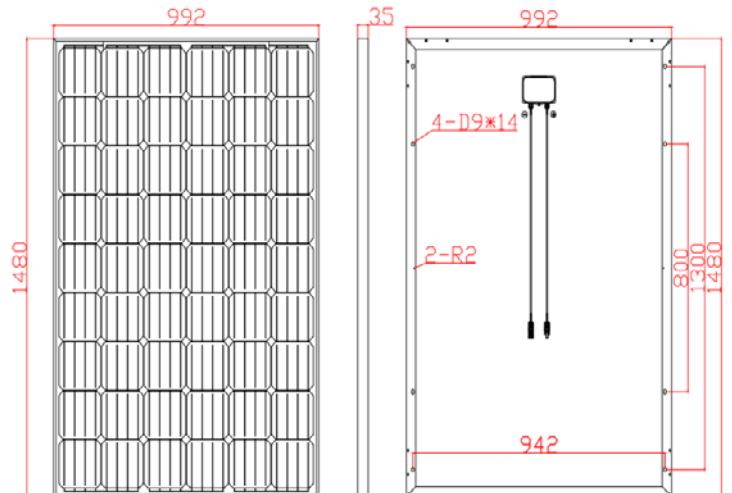
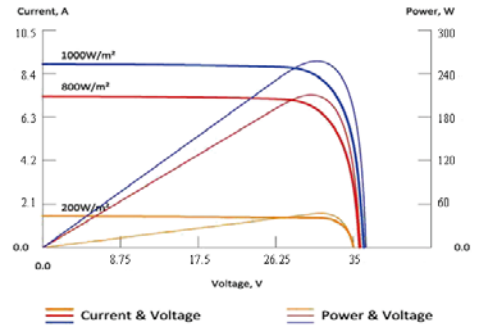
Short Circuit Current Temperature Coefficient	%/°C	0.06
Open Circuit Voltage Temperature Coefficient	%/°C	-0.34
Maximum Power Temperature Coefficient	%/°C	-0.47
Performance Warranty : 90%output , 12 years		
80%output, 25 years		

**Physical Specifications**

Dimension: 1480\*992\*35MM  
 Weight: 15KG/PCS  
 Packing : 2 pcs in one carton

**Electrical Characteristics**

Current-Voltage & Power-Voltage characteristics various irradiance levels



SHENZHEN SUOYANG NEW ENERGY CO.,LTD.

ADD.: No.5 Building,Juhui Mold Industrial area,Tianliao Road,Guangming New Districte ,Shenzhen ,China

Tel: +86- 755 3369 9192 -8004 Fax: +86-755 3369 9194

Website: www.szsuo yang.com