

For a Free Quote:

Web: EnergyPal.com/solar

Call: 1-800-990-3725

Email: contact@energypal.com

EnergyPal

Solar Panel Guide Specification Data Sheet

**Tianke Energy Saving
TESPV 250-300W Poly
TESPV 280W Poly**

Also available on the web at
EnergyPal.com/tianke-energy-saving-solar-panels/tespv-280w-poly



TES Group Limited

Add: Wealth Commercial Center, 48 Kwong Wa Street, Mongkok, Kowloon, Hong Kong

Tel: 0086-756-8929265

E-mail: tes@teswin.com URL: www.tessolarwater.com

...a member of TES Group of Companies

TESPV 250-300W Polycrystalline POLY CRYSTALLINE 6"



Silicon Polycrystalline photovoltaic module with power peak from 250 W to 300 W



FEATURES

Using only the best quality materials to provide High quality solar module.

- High efficiency solar cells with high transmission and low iron textured glass;
- Bypass diode minimizes the power drop caused by shading;
- Tempered glass, EVA resin, and weatherproof film, plus aluminum frame for extended outdoor use;
- Modules independently tested to ensure conformance with certification and regulatory standards;
- Manufacturing facility certified to ISO 9001 quality management system standards.



WARRANTY

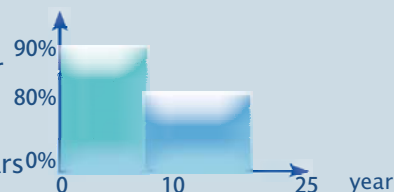
5 years product guarantee - 25 years performance warranty

Commercial

- Standard 5 years on materials and manufacturing defects
- Can be extended to 10 years on request

Performance

- Power not less than 90% of power peak during the first 10 years
- Power not less than 80% of power peak during the subsequent 15 years





TES Group Limited

Add: Wealth Commercial Center, 48 Kwong Wa Street, Mongkok, Kowloon, Hong Kong

Tel: 0086-756-8929265

E-mail: tes@teswin.com URL: www.tessolarwater.com

...a member of TES Group of Companies

Model	Open Circuit Voltage Voc (V)	Short Circuit Current Isc (A)	Optimum Operating Voltage Vmp (V)	Optimum Operating Current Imp (A)	Rated Maximum Power at STC Pmax (W)	Maximum Series Fuse Rating (A)	Power Tolerance
TESPV 250W P	43.4	7.71	35	7.14	250	15	±3%
TESPV 255W P	43.4	7.87	35	7.29	255	15	±3%
TESPV 260W P	43.4	7.95	35	7.43	260	15	±3%
TESPV 265W P	44	8.06	35.5	7.46	265	15	±3%
TESPV 270W P	44	8.14	35.3	7.61	270	15	±3%
TESPV 275W P	44	8.3	35.5	7.75	275	15	±3%
TESPV 280W P	44.6	8.41	36	7.78	280	15	±3%
TESPV 285W P	44.6	8.57	36	7.91	285	15	±3%
TESPV 290W P	44.6	8.69	36.5	7.95	290	15	±3%
TESPV 295W P	44.8	8.70	36.8	7.98	295	15	±3%
TESPV 300W P	44.8	8.80	37.2	8.10	300	15	±3%

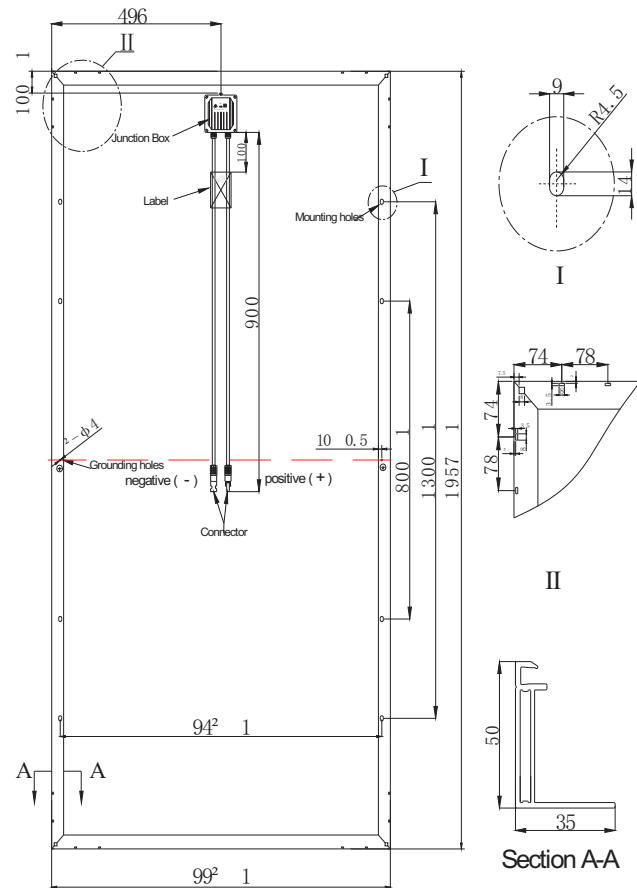
MECHANICAL FEATURES		
Cell Size	(mm)	156 x 156
Number of cells	72 cells - polycrystalline silicon	
Module Dimensions	(mm)	1,957 x 992 x 50
Module Weight	(kg)	22.5
Front Glass	3.2 mm tempered glass	
Frame	anodized aluminium alloy	
Junction box	6 by-pass diodes	
Connectors	IP67 type MC3 or MC4	
Output Cables	(mm)	900

PACKING FEATURES		
Pallet Dimensions	(mm)	2,025 x 1,050 x h1,152
Pallet Weight	(kg)	485
1 Pallet	20 modules	
Container Loading Capacity	20ft	200 modules (10 pallets)
	40ft	440 modules (22 pallets)

Temperature Coefficients

Notinal Operating cell Temperature(NOCT)	47 ± 2°C
Temperature Coefficient of Pmax	-0.43%/°C
Temperature Coefficient of Voc	-0.33%/°C
Temperature Coefficient of Isc	+0.04%/°C

* XXX indicates Rated Power [W]



Characteristics Curve

