

For a Free Quote:

Web: EnergyPal.com/solar

Call: 1-800-990-3725

Email: contact@energypal.com

EnergyPal

Solar Panel Guide Specification Data Sheet

**Changzhou Tianma Photovoltaic Electronic Co., Ltd.
TM-P6 60Cells (265-275W)
TM-P6-60-265**

Also available on the web at
EnergyPal.com/changzhou-tianma-photovoltaic-electronic-co-ltd-solar-panels/tm-p6-60-265

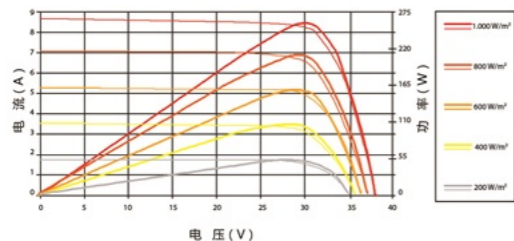
TM-P6 60 Cells 265-275W



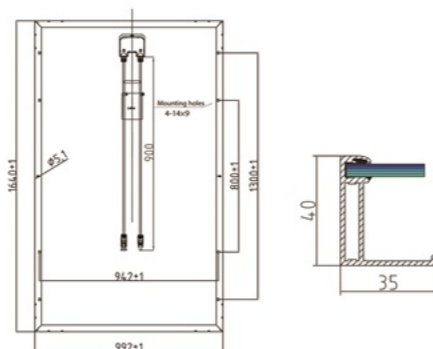
Features

- Maximum efficiency reached 17.52%
- 25 years of output guarantee
- Excellent anti-pid performance through PID test
- The biggest snow pressure reached 5400Pa
- Maximum wind pressure reaches 2400Pa

P-V CURVES



DIMENSIONS



PRODUCTS	TM-P6-60-265	TM-P6-60-270	TM-P6-60-275	
----------	--------------	--------------	--------------	--

ELECTRICAL DATA

Peak Power Watts-PMAX(Wp)	265	270	275	
Power Output Tolerance-PMAX (%)	0~+5			
Maximum Power Voltage-VMPP(V)	30.70	30.89	31.30	
Maximum Power Current-IMPP(A)	8.63	8.74	8.79	
Open Circuit Voltage -VOC (V)	38.07	38.23	38.3	
Short Circuit Voltage -ISC (A)	9.04	9.13	9.25	
Module Efficiency ηm(%)	16.29	16.60	17.90	

MECHANICAL DATA

Solar Cells	Poly 156×156 mm			
Cell Orientation	60(6×10)			
Module Dimension	1640×992×40 mm			
Weight	19.5kg			
Glass	3.2mm, High Transmission, AR Coated Tempered Glass			
Frame	Anodized Aluminium Alloy			
Junction Box	IP68			
Cables / Conectors	4mm² 900m MC4-compatible			
Number of Diodes	3			

TEMPERATURE RATINGS

NOCT(Nominal Operating Temperature)	45℃ (±2℃)
Temperature Coefficient of PMAX	- 0.42% / ℃
Temperature Coefficient of VOC	- 0.33% / ℃
Temperature Coefficient of ISC	0.06% / ℃

MAXIMUM RATINGS

Maximum System Voltage	-40 ~ +85℃
Operational Temperature	1000VDC(IEC)
Max Series Fuse Rating	15A Power ≤285W, 20A Power ≥290W
Maximum load(snow/wind)	5400Pa / 2400Pa

WARRANTY

10 year workmanship warranty	
10 year power warranty	10 year at 90% power output
25 year power warranty	25years at 80% power output

Packaging

Modules per box	26pcs. (40 mm)
Modules per 40ft container	784pcs. (40 mm)

