

For a Free Quote:

Web: EnergyPal.com/solar

Call: 1-800-990-3725

Email: contact@energypal.com

EnergyPal

Solar Panel Guide Specification Data Sheet

Tommatech GmbH

TT280-295-72PP

TT295 60PP

Also available on the web at
EnergyPal.com/tommatech-gmbh-solar-panels/tt295-60pp

PERC POLYCRYSTALLINE 60PP



GERMAN-based company

- ◆ TT280-72PP 280 Wp
- ◆ TT290-72PP 290 Wp
- ◆ TT285-72PP 285 Wp
- ◆ TT295-72PP 295 Wp

12 Year
Material and
Workmanship
Warranty

25 Years
Performance Warranty



High Conversion Efficiency

High panel efficiency to guarantee high power output



Self-Cleaning And Anti-Reflection Glass

Coating glass for self-cleaning reduces surface dust



Outstanding Low Irradiation Glass

Outstanding panel performance even in weak light conditions



Excellent Durability

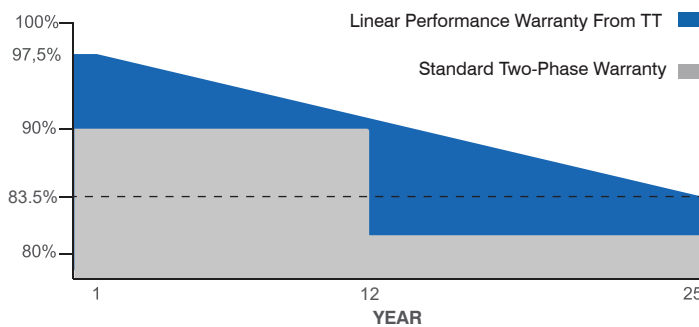
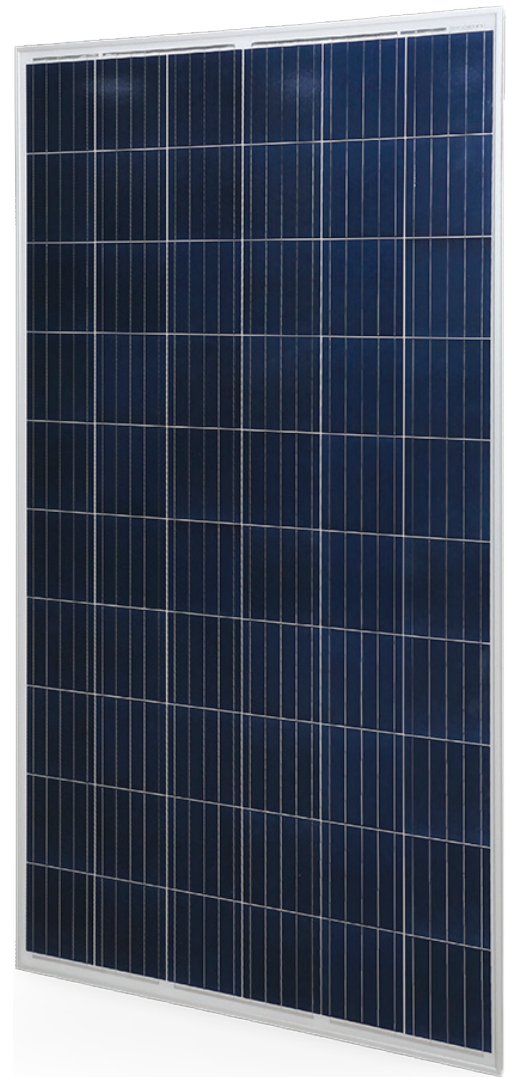
Wind load up to 2400 Pa, Snow load up to 5400 Pa



0~ +5Wp Positive Power Tolerance



Easy Installation



- ✓ 25 Year Performance Warranty
- ✓ 12 Year Material and Workmanship Warranty



Model Type	TT280 60PP	TT285 60PP	TT290 60PP	TT295 60PP
Peak Power (Pmax)	280 Wp	285 Wp	290 Wp	295 Wp
Module Efficiency	17,08	17,38	17,69	17,99
Maximum Power Voltage (Vmp)	31,96	32,26	32,68	33,08
Maximum Power Current (Imp)	8,82	8,87	8,91	8,95
Open Circuit Voltage (Voc)	38,82	39,00	39,12	39,24
Short Circuit Current (Isc)	9,36	9,42	9,46	9,50
Power Tolerance	0~+5W			
Maximum System Voltage	1000V DC			
Nominal Operating Cell Temp.	-40 ~ +85°C			
Fire Safety	Class C			
Maximum Series Fuse Rating	15A			

MECHANICAL SPECIFICATIONS

Cell Dimensions	156,75 mm x 156,75 mm
Cells per Module	60 (6X10)
Weight	18 kg
Panel Dimensions	1648x995x35mm
Panel Dimensions (Optional)	1640x990x35mm
Max. Wind/Snow Load	2400/5400 Pa
Junction Box	IP67

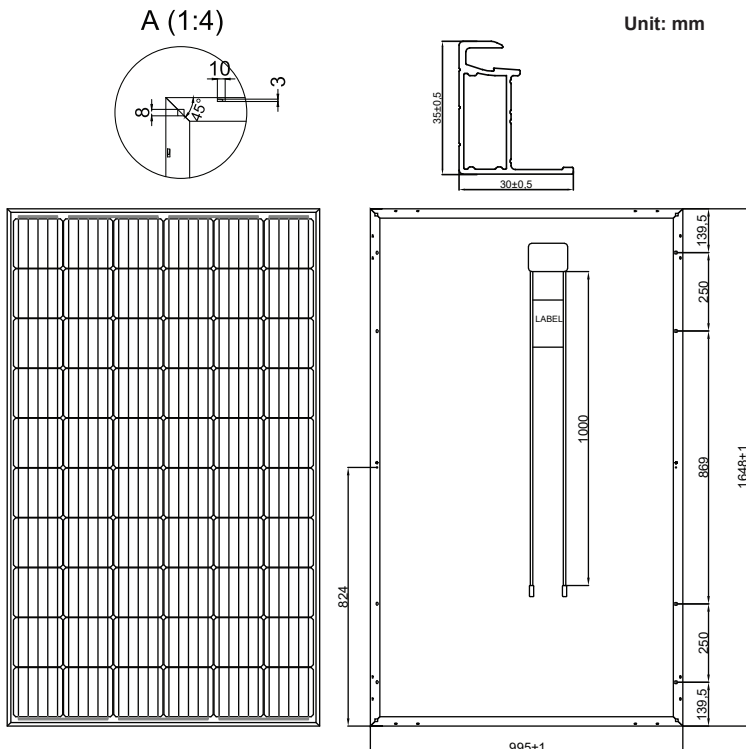
TEMPERATURE CHARACTERISTICS

Temp. Coeff. of (Isc)	0.06%/°C
Temp. Coeff. of (Voc)	-0.30%/°C
Temp. Coeff. of (Pmax)	-0.38%/°C

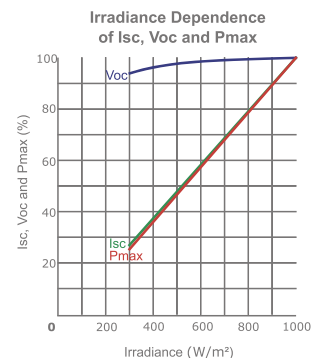
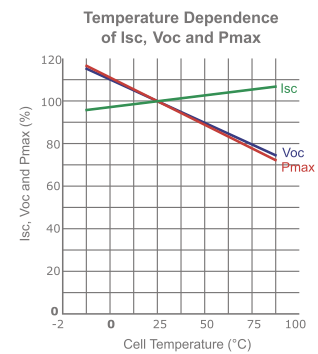
PACKING CONFIGURATION

Container	20' GP	40' GP
Pieces per Pallet	31	31
Pieces per Container	372	938

PHYSICAL CHARACTERISTICS



ELECTRICAL CHARACTERISTICS



*Note: The specifications are obtained under the standard test conditions: 1000W/m² solar irradiance, 1.5 Air Mass and cell temperature of 25°C. The NOCT is obtained under the Test Conditions 800W/m² solar radiation, ambient temperature 20°C, wind speed 1m/s. Measurement uncertainty for all panels is 6%. The actual transactions will be subject to the contracts. These parameters are for reference only and it is not a part of the contracts. The specifications are subject to change without prior notice.