

**For a Free Quote:**

**Web: [EnergyPal.com/solar](http://EnergyPal.com/solar)**

**Call: 1-800-990-3725**

**Email: [contact@energypal.com](mailto:contact@energypal.com)**

# **EnergyPal**

## **Solar Panel Guide Specification Data Sheet**

**UK Solar Power Ltd**

**UK 300-340P72**

**UK 320P72**

Also available on the web at  
[EnergyPal.com/uk-solar-power-ltd-solar-panels/uk-320p72](http://EnergyPal.com/uk-solar-power-ltd-solar-panels/uk-320p72)

BRITISH BRAND BRITISH QUALITY BRITISH GUARANTEES

BUILT TO LAST LONGER

## UKSOLARPOWER UK300-340P72 POLYCRYSTALLINE Module

**HIGHEST QUALITY** - All our panels are produced to the Highest European and very strict British standard regulations. Using only the best quality materials, our panels are designed to deliver maximum return on investment whilst service and support is provided from our UK offices.

**A FRIENDLY CUSTOMER SERVICE THAT SPEAKS YOUR LANGUAGE**

**LONGEST GUARANTEES IN THE INDUSTRY** – UK SOLAR POWER GRADE 'A' PANELS are supported by a British 12-year product warranty and a 30 year performance warranty. The performance warranty provides for 91.2% of normal output for 12 years and 80.6% of normal output up to 30 years.

**BRITISH BACKED GUARANTEE – YOU & YOUR CUSTOMERS CAN TRUST**

Advanced performance & proven advantages

- ✓ High module conversion efficiency up to 17.52% by using highly efficient solar cells and advanced manufacturing technology.
- ✓ Low degradation and excellent performance under high-temperatures and low light conditions.
- ✓ Robust aluminum frame ensures the modules withstand wind loads up to 2400Pa and snow loads up to 5400Pa.
- ✓ High reliability against extreme environmental conditions (passing salt mist, ammonia and hail tests).
- ✓ Positive power tolerance of 0 ~ +3 %.
- ✓ Potential induced degradation (PID) resistance.

Quality Certificates

- ✓ IEC61215, IEC61730, IEC62716, IEC61701, CE, ETL(USA), CQC, CGC, JET(Japan), J-PEC(Japan), Kemco(South Korea), KS(South Korea), MCS(UK), CEC(Australia), FSEC(FL-USA), CSI Eligible (CA-USA), Israel Electric(Israel), InMetro(Brazil), TSE(Turkey)
- ✓ ISO9001:2008: Quality management system
- ✓ ISO14001:2004: Environmental management system
- ✓ OHSAS18001:2007: Occupational health and safety management system



Special Warranties

- BRITISH 12-year limited product warranty
- BRITISH Limited power warranty: 12 years 91.2% of the nominal power output,
- 30 years 80.6% of the nominal power output.



Linear performance warranty from UKSOLARPOWER  
Standard performance warranty



Certificates apply jointly with the UKSOLARPOWER factory

## ELECTRICAL CHARACTERISTICS AT STC

Nominal Power ( $P_{max}$ )	300W	305W	310W	315W	320W	325W	330W	335W	340W
Open Circuit Voltage ( $V_{OC}$ )	45.3V	45.4V	45.5V	45.6V	45.7V	45.8V	45.9V	46.0V	46.1V
Short Circuit Current ( $I_{SC}$ )	8.68A	8.76A	8.85A	8.93A	9.04A	9.15A	9.26A	9.38A	9.50A
Voltage at Nominal Power ( $V_{mp}$ )	36.7V	36.8V	36.9V	37.0V	37.1V	37.2V	37.3V	37.4V	37.5V
Current at Nominal Power ( $I_{mp}$ )	8.18A	8.29A	8.41A	8.52A	8.63A	8.74A	8.85A	8.96A	9.07A
Module Efficiency (%)	15.46	15.72	15.98	16.23	16.49	16.75	17.01	17.26	17.52
Operating Temperature	-40°C to +85°C								
Maximum System Voltage	1000V DC								
Fire Resistance Rating	Type 1 (in accordance with UL 1703)/Class C (IEC61730)								
Maximum Series Fuse Rating	15A								

STC: Irradiance 1000W/m<sup>2</sup>, Cell temperature 25°C, AM1.5

## ELECTRICAL CHARACTERISTICS AT NOCT

Nominal Power ( $P_{max}$ )	221W	224W	228W	232W	236W	239W	243W	247W	251W
Open Circuit Voltage ( $V_{OC}$ )	41.7V	41.8V	41.9V	42.0V	42.1V	42.2V	42.3V	42.4V	42.5V
Short Circuit Current ( $I_{SC}$ )	7.03A	7.10A	7.17A	7.23A	7.32A	7.41A	7.50A	7.60A	7.70A
Voltage at Nominal Power ( $V_{mp}$ )	33.4V	33.5V	33.6V	33.7V	33.8V	33.9V	34.0V	34.1V	34.2V
Current at Nominal Power ( $I_{mp}$ )	6.62A	6.69A	6.79A	6.89A	6.98A	7.05A	7.15A	7.25A	7.34A

NOCT: Irradiance 800W/m<sup>2</sup>, Ambient temperature 20°C, Wind Speed 1 m/s

## MECHANICAL CHARACTERISTICS

Cell type	Polycrystalline 5BB 156.75x156.75mm (6x6inches)
Number of cells	72 (6x12)
Module dimensions	1956x992x40mm (77.01x39.06x1.57inches)
Weight	22.5kg (49.6lbs)
Front cover	3.2mm (0.13inches) tempered glass with AR coating
Frame	Anodized aluminum alloy
Junction box	IP67, 3 diodes
Cable	4mm <sup>2</sup> (0.006inches <sup>2</sup> ), 1000mm (39.37inches)
Connector	MC4 or MC4 compatible

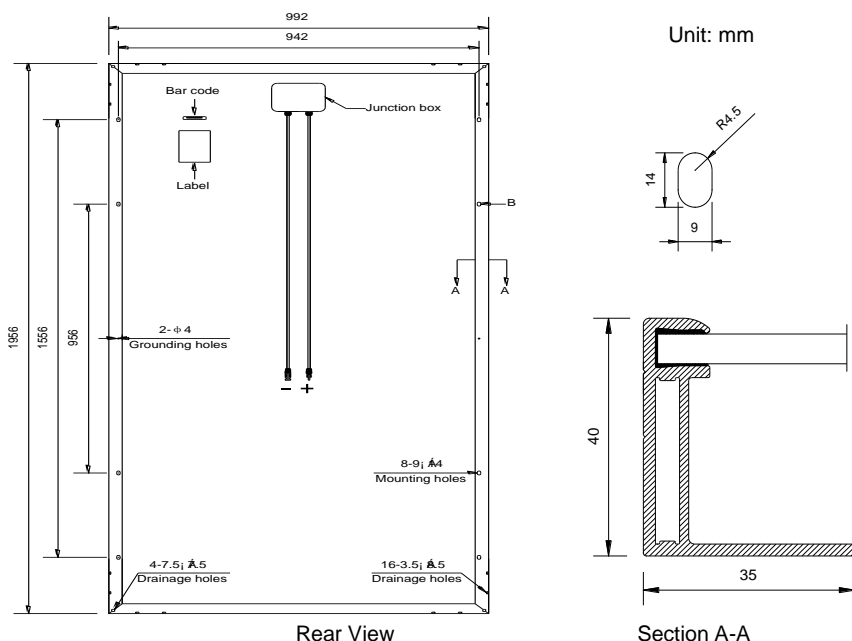
## TEMPERATURE CHARACTERISTICS

Nominal Operating Cell Temperature (NOCT)	45°C±2°C
Temperature Coefficients of $P_{max}$	-0.41%/°C
Temperature Coefficients of $V_{OC}$	-0.31%/°C
Temperature Coefficients of $I_{SC}$	0.05%/°C

## PACKAGING

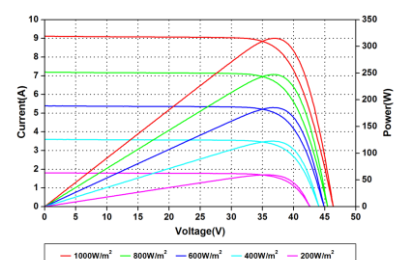
Standard packaging	26pcs/pallet
Module quantity per 20' container	260pcs
Module quantity per 40' container	572pcs(GP)/616pcs(HQ)

## ENGINEERING DRAWINGS

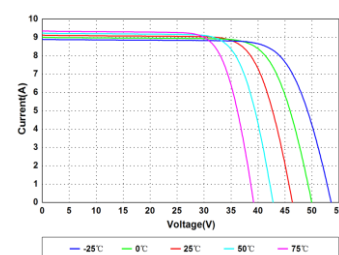


Specifications in this datasheet are subject to change without prior notice.

## IV CURVES



Current-Voltage and Power-Voltage Curves at Different Irradiances



Current-Voltage and Power-Voltage Curves at Different Temperatures