

For a Free Quote:

Web: EnergyPal.com/solar

Call: 1-800-990-3725

Email: contact@energypal.com

EnergyPal

Solar Panel Guide Specification Data Sheet

Anhui Uzon Photovoltaic Technology Co., Ltd.

UZ156MHC380-400-72-5BB

UZ156MHC380-72

Also available on the web at
EnergyPal.com/anhui-uzon-photovoltaic-technology-co-ltd-solar-panels/uz156mhc380-72

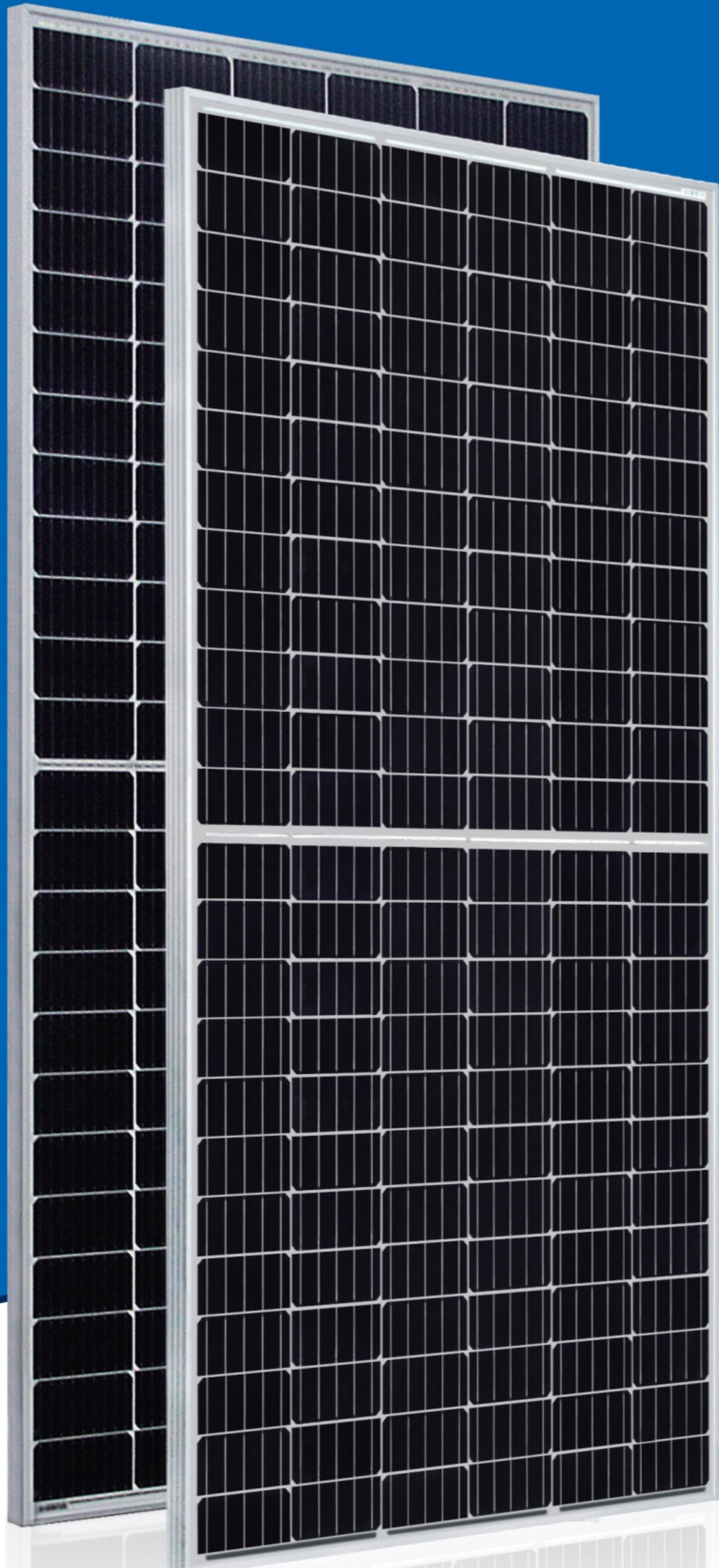
UzonSemi™

Incredible Power for Small Body

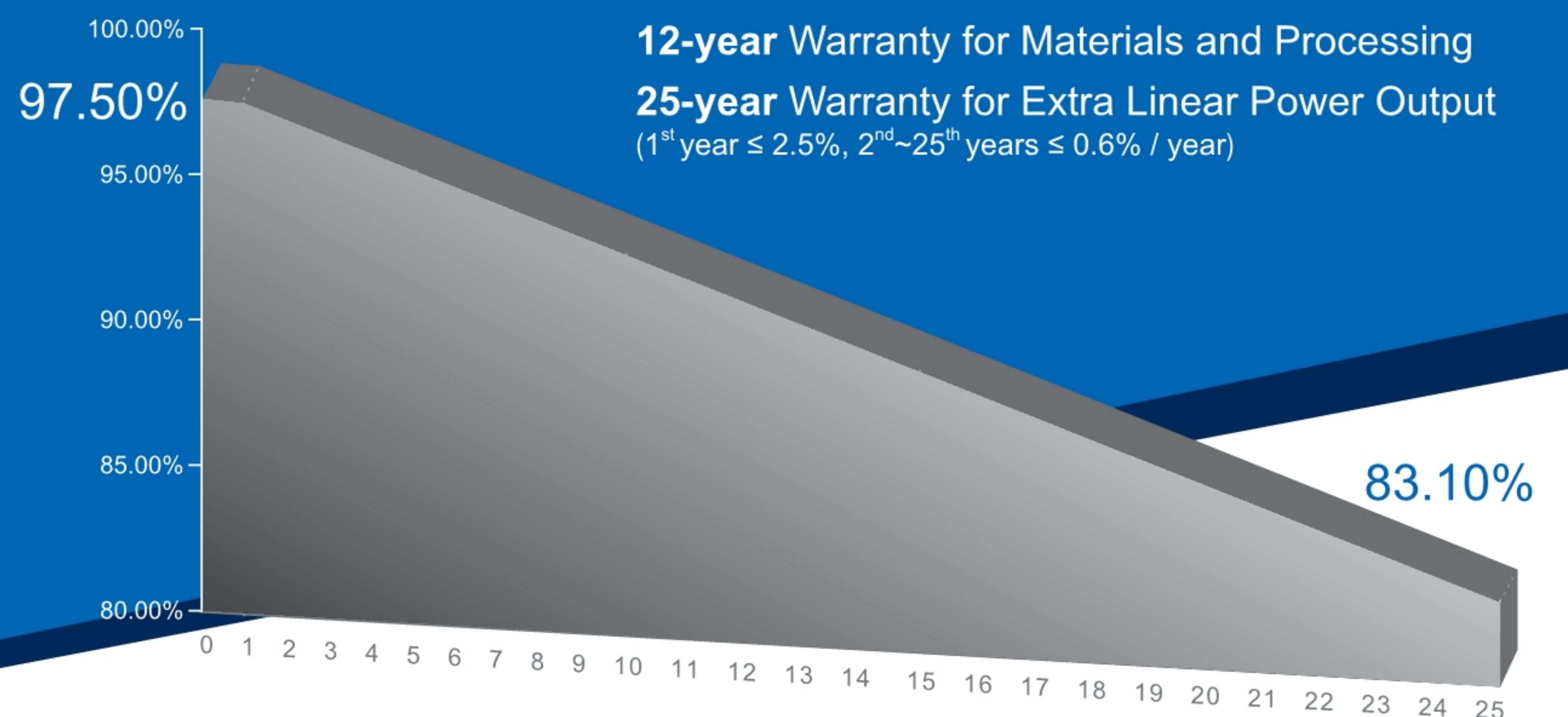
380W~400W

Monocrystalline PV Module

UZM400-72HCSeries (156.75)



Multi-Busbar Module could be the option



KEY FEATURES

- +5W OUTPUT POSITIVE TOLERANCE**
Guaranteed 0~+5W positive tolerance ensures power output reliability.
- INNOVATIONAL HALF-CELL TECHNOLOGY**
Improves the module output, decreases the risk of micro-crack, enhances the module reliability.
- PERC INNOVATIVE PERC CELL TECHNOLOGY**
Excellent cell efficiency and output.
- REDUCE SHADOW LOSS**
Effectively reduces the effect of shadow on the module surface.
- REDUCE INTERNAL MISMATCH LOSS**
Reduces mismatch loss and improves output.
- PASSED HAIL TEST**
Certified to hail resistance: ice ball size (d=45mm) and ice ball velocity (v=30.7m/s).
- Anti PID PID RESISTANCE**
Excellent PID resistance at 96 hours (@85°C /85%) test, and also can be improved to meet higher standards for the particularly harsh environment.

COMPREHENSIVE CERTIFICATES



For Global Market

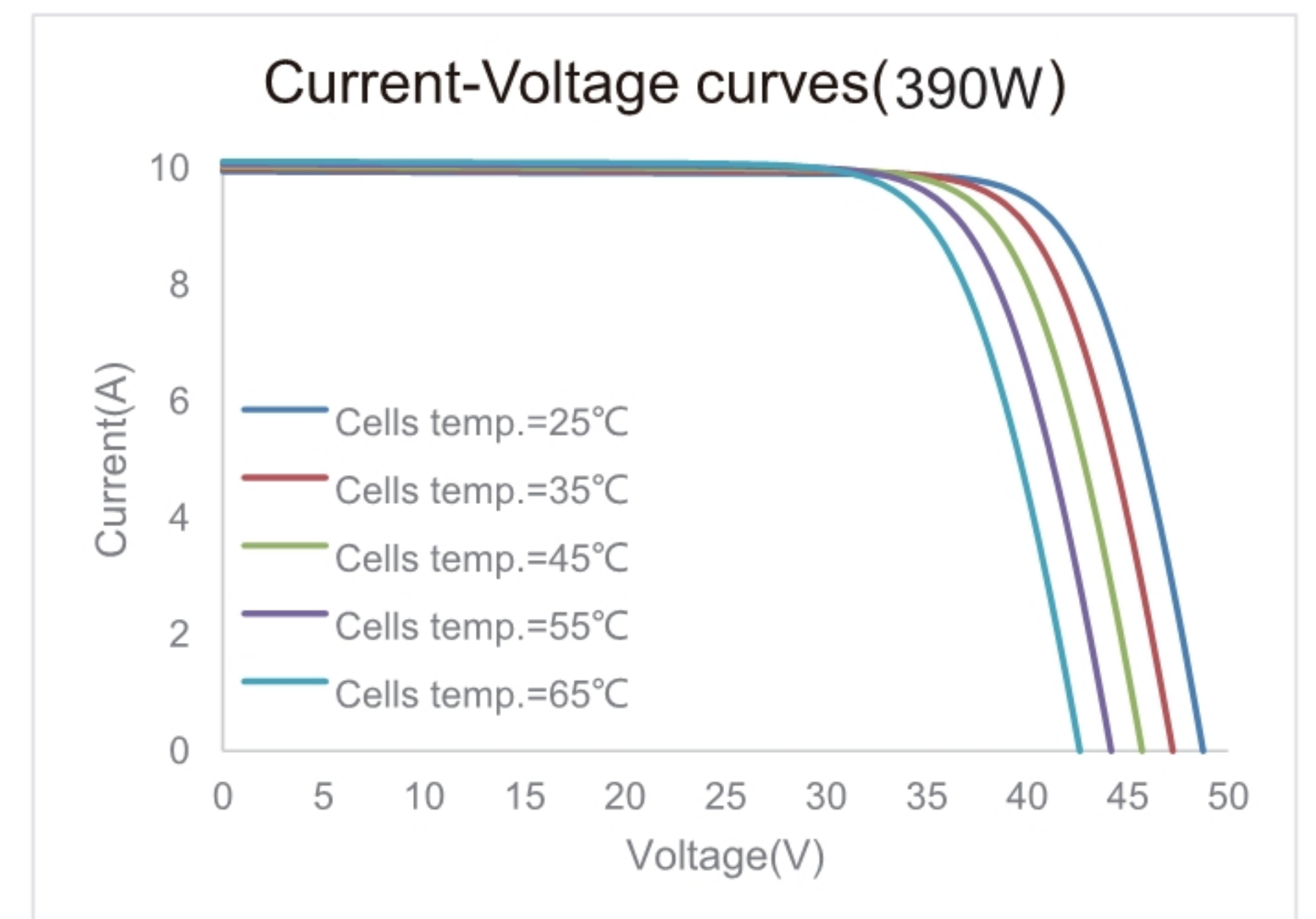
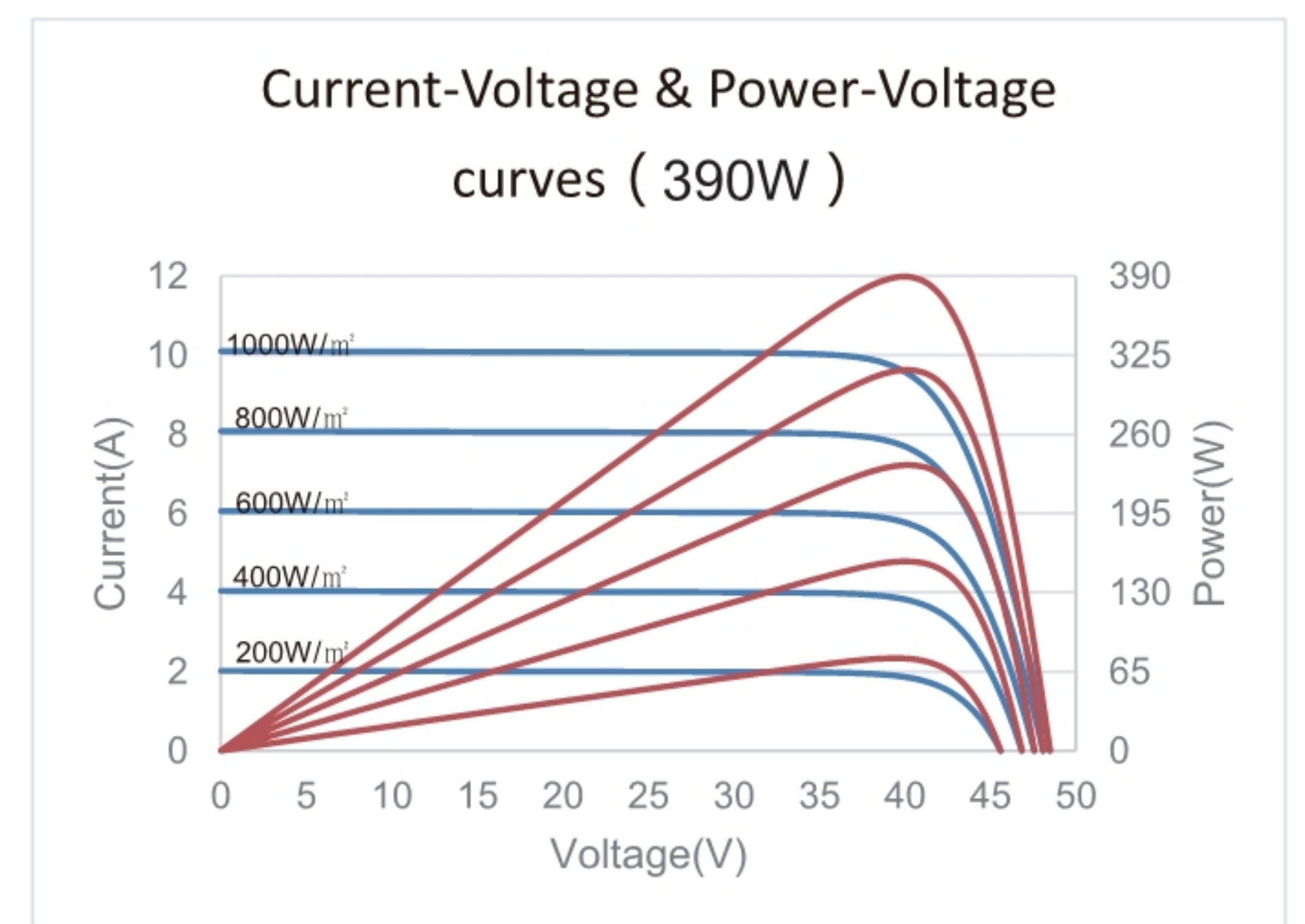
ELECTRICAL SPECIFICATIONS

| | | | | | |
|---|---------------------|----------|----------|----------|----------|
| STC rated output (P_{mpp})* | 380 Wp | 385 Wp | 390 Wp | 395 Wp | 400 Wp |
| Rated voltage (V_{mpp}) at STC | 40.26 V | 40.58 V | 40.81 V | 41.07 V | 41.32 V |
| Rated current (I_{mpp}) at STC | 9.44 A | 9.49 A | 9.56 A | 9.62 A | 9.68 A |
| Open circuit voltage (V_{oc}) at STC | 48.18 V | 48.47 V | 48.70 V | 48.98 V | 49.25 V |
| Short circuit current (I_{sc}) at STC | 9.95 A | 10.02 A | 10.10 A | 10.17 A | 10.24 A |
| Module efficiency | 19.2% | 19.4% | 19.7% | 19.9% | 20.2% |
| Rated output (P_{mpp}) at NMOT | 282.5 Wp | 286.2 Wp | 289.9 Wp | 293.6 Wp | 297.4 Wp |
| Rated voltage (V_{mpp}) at NMOT | 37.37 V | 37.67 V | 37.88 V | 38.12 V | 38.37 V |
| Rated current (I_{mpp}) at NMOT | 7.56 A | 7.60 A | 7.65 A | 7.70 A | 7.75 A |
| Open circuit voltage (V_{oc}) at NMOT | 45.12 V | 45.39 V | 45.61 V | 45.87 V | 46.12 V |
| Short circuit current (I_{sc}) at NMOT | 8.02 A | 8.07 A | 8.14 A | 8.19 A | 8.25 A |
| Temperature coefficient (P_{mpp}) | - 0.3528%/°C | | | | |
| Temperature coefficient (I_{sc}) | +0.0400%/°C | | | | |
| Temperature coefficient (V_{oc}) | - 0.2769%/°C | | | | |
| Nominal module operating temperature (NMOT) | 44±2°C | | | | |
| Maximum system voltage (IEC/UL) | 1500V _{DC} | | | | |
| Number of diodes | 3 | | | | |
| Junction box IP rating | IP 67 | | | | |
| Maximum series fuse rating | 20 A | | | | |

STC: Irradiance 1000W/m², Cell Temperature 25°C, AM=1.5

NMOT: Irradiance 800W/m², Ambient Temperature 20°C, AM=1.5, Wind Speed 1m/s

CURVE



MECHANICAL SPECIFICATIONS

| | |
|--------------------------------|--|
| Outer dimensions (L x W x H) | 2000 x 992 x 40 mm 78.74 x 39.06 x 1.57 in |
| Frame technology | Aluminum, silver anodized |
| Module composition | Glass / EVA / Backsheet (white) |
| Front glass thickness | 3.2 mm / 0.13 in |
| Cable length (IEC/UL) | Portrait: 350 mm (13.78 in) Landscape: 1200 mm (47.24 in) |
| Cable diameter (IEC/UL) | 4 mm ² / 12 AWG |
| ① Maximum mechanical test load | 5400 Pa (front) / 2400 Pa (back) |
| Fire performance (IEC/UL) | Class C (IEC) or Type 1 (UL) |
| Connector type (IEC/UL) | MC4 compatible |

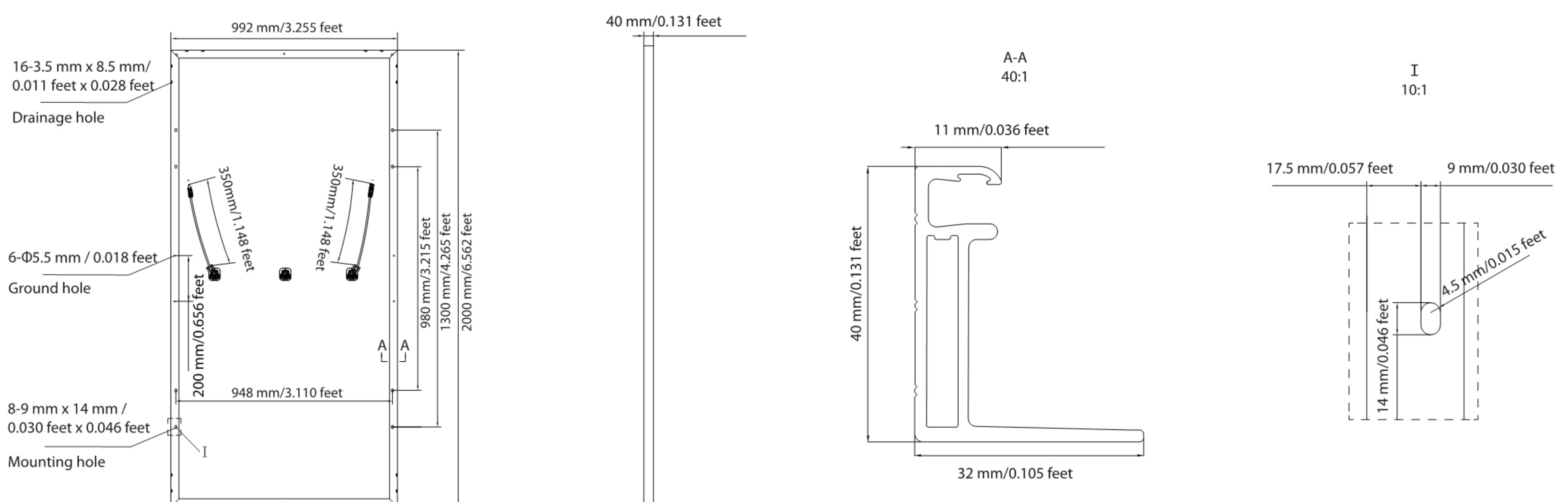
① Refer to Crystalline Silicon PV Module Installation Manual or contact technical department.
Maximum Mechanical Test Load=1.5×Maximum Mechanical Design Load.

PACKING SPECIFICATIONS

| | |
|--|---------------------|
| ① Weight (module only) | 22.3 kg / 49.16 lbs |
| ② Packing unit | 27 pcs / box |
| Weight of packing unit (for 40'HQ container) | 648 kg / 1429 lbs |
| Number of modules per 40'HQ container | 594 pcs |

① Tolerance +/- 1.0kg
② Subject to sales contract

MODULE DIMENSION DETAILS



© Uzon PV (Anhui) Co., Ltd. Reserves the right of final interpretation. please contact our company to use the latest version for contract.