

For a Free Quote:

Web: EnergyPal.com/solar

Call: 1-800-990-3725

Email: contact@energypal.com

EnergyPal

Solar Panel Guide Specification Data Sheet

Anhui Uzon Photovoltaic Technology Co., Ltd.

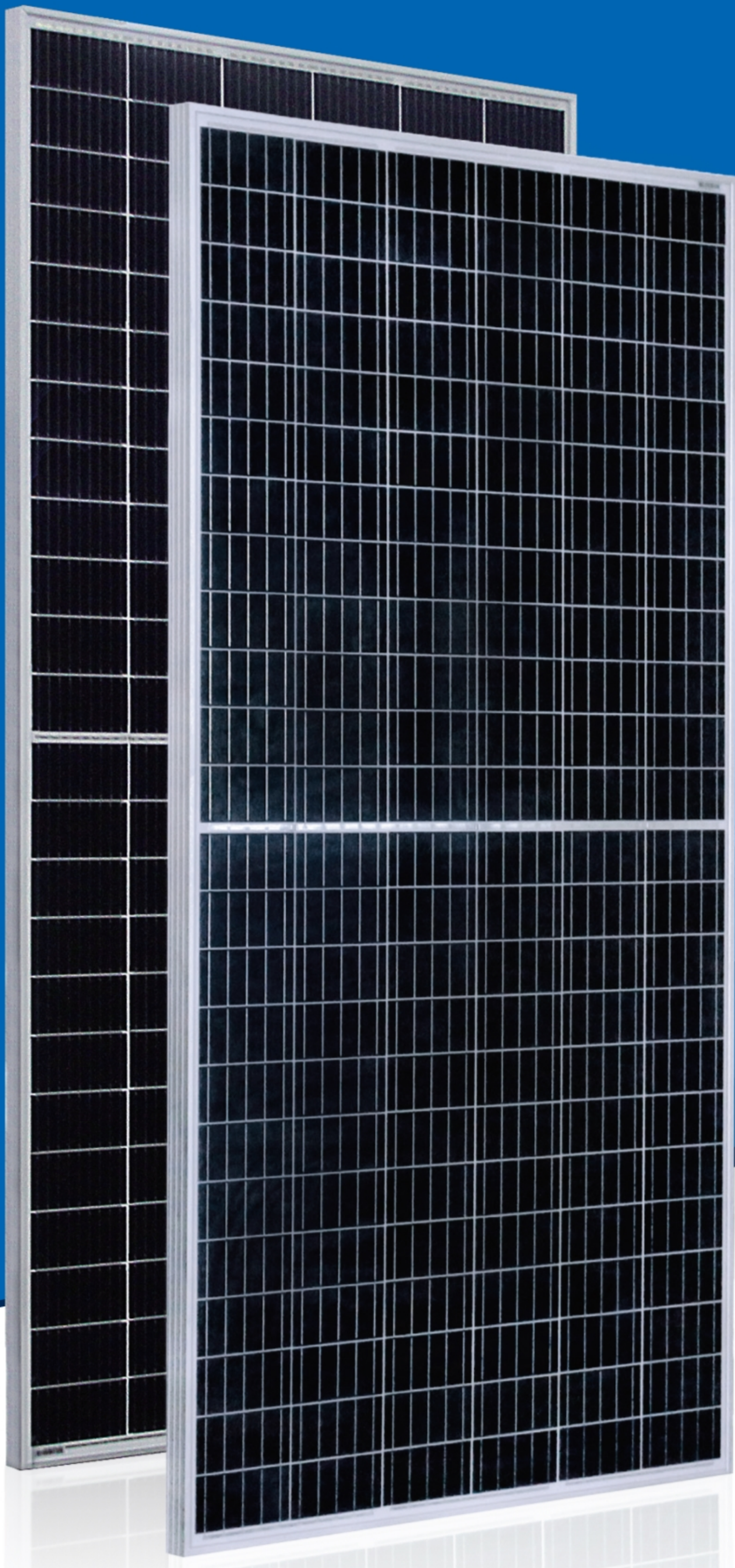
UZ156PHC345-365-72-5BB

UZ156PHC350-72

Also available on the web at
EnergyPal.com/anhui-uzon-photovoltaic-technology-co-ltd-solar-panels/uz156phc350-72

UzonSemi™

Incredible Power for Small Body

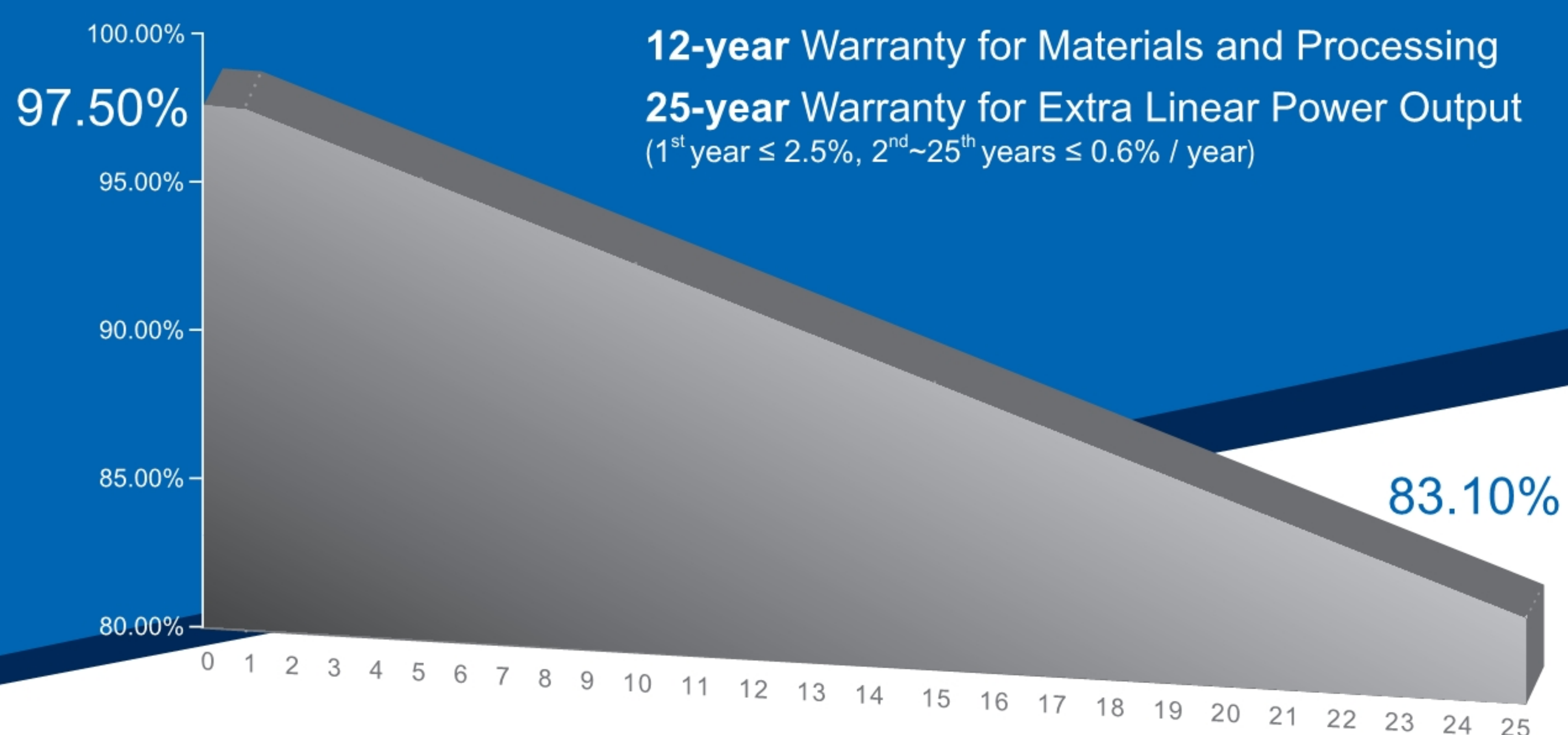


Multi-Busbar Module could be the option

345W~365W

Polycrystalline PV Module

UZP365-72HC Series (156.75)



KEY FEATURES

- +5W OUTPUT POSITIVE TOLERANCE**
 Guaranteed 0~+5W positive tolerance ensures power output reliability.
- INNOVATIONAL HALF-CELL TECHNOLOGY**
 Improves the module output, decreases the risk of micro-crack, enhances the module reliability.
- PERC INNOVATIVE PERC CELL TECHNOLOGY**
 Excellent cell efficiency and output.
- REDUCE SHADOW LOSS**
 Effectively reduces the effect of shadow on the module surface.
- REDUCE INTERNAL MISMATCH LOSS**
 Reduces mismatch loss and improves output.
- PASSED HAIL TEST**
 Certified to hail resistance: ice ball size (d=45mm) and ice ball velocity (v=30.7m/s).
- Anti PID RESISTANCE**
 Excellent PID resistance at 96 hours (@85°C /85%) test, and also can be improved to meet higher standards for the particularly harsh environment.

COMPREHENSIVE CERTIFICATES



For Global Market

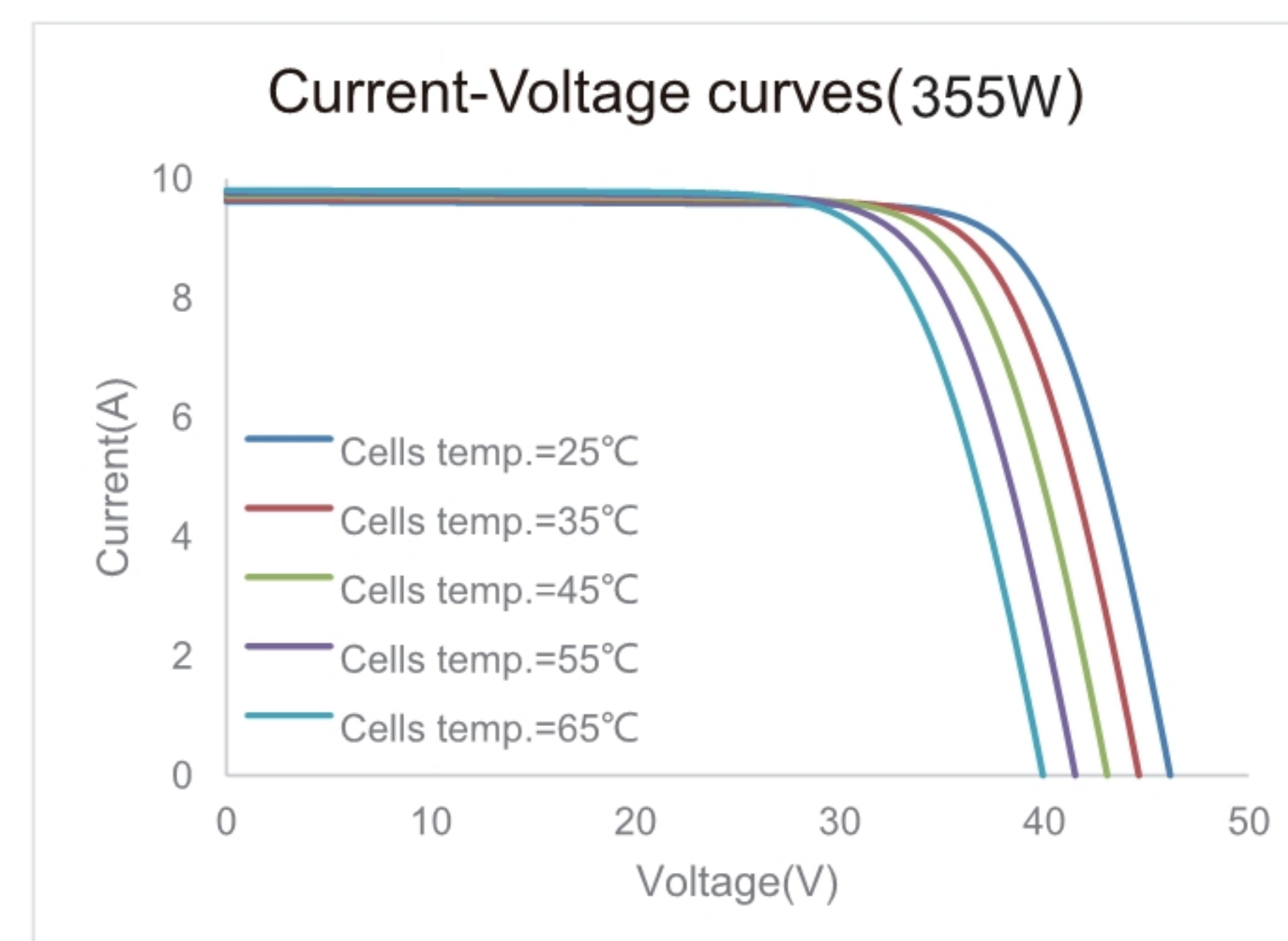
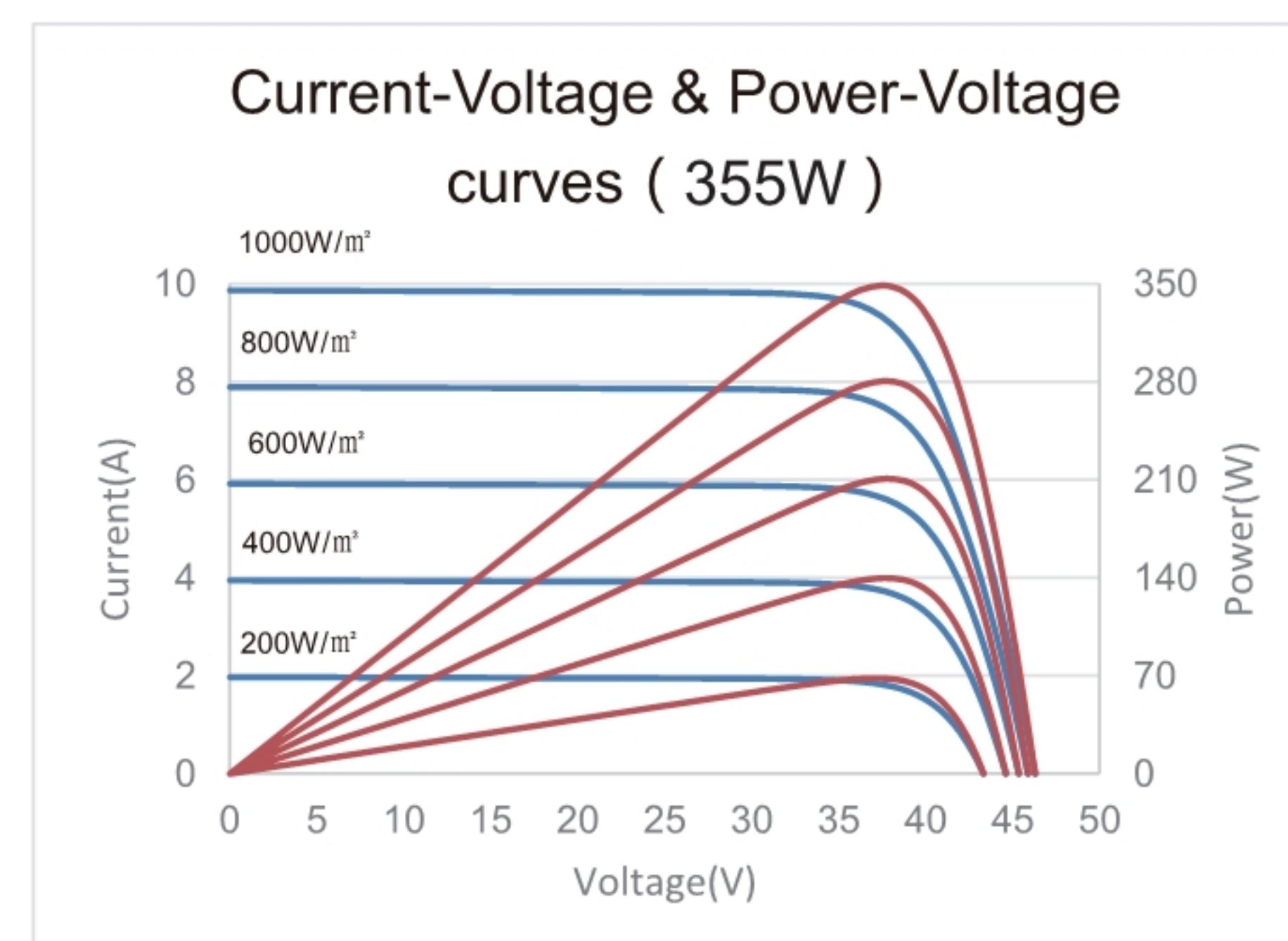
ELECTRICAL SPECIFICATIONS

STC rated output (P_{mpp})*	345 Wp	350 Wp	355 Wp	360 Wp	365 Wp
Rated voltage (V_{mpp}) at STC	37.71 V	37.78 V	37.87 V	37.94 V	38.02 V
Rated current (I_{mpp}) at STC	9.15 A	9.26 A	9.37 A	9.49 A	9.60 A
Open circuit voltage (V_{oc}) at STC	46.04 V	46.25 V	46.45 V	46.65 V	46.84 V
Short circuit current (I_{sc}) at STC	9.57 A	9.65 A	9.74 A	9.83 A	9.92 A
Module efficiency	17.4%	17.6%	17.9%	18.1%	18.4%
Rated output (P_{mpp}) at NMOT	256.7 Wp	260.4 Wp	264.2 Wp	267.9 Wp	271.6 Wp
Rated voltage (V_{mpp}) at NMOT	35.01 V	35.09 V	35.18 V	35.24 V	35.30 V
Rated current (I_{mpp}) at NMOT	7.33 A	7.42 A	7.51 A	7.60 A	7.69 A
Open circuit voltage (V_{oc}) at NMOT	43.19 V	43.39 V	43.58 V	43.76 V	43.94 V
Short circuit current (I_{sc}) at NMOT	7.72 A	7.78 A	7.85 A	7.93 A	8.00 A
Temperature coefficient (P_{mpp})		- 0.3599%/°C			
Temperature coefficient (I_{sc})		+0.0430%/°C			
Temperature coefficient (V_{oc})		- 0.2765%/°C			
Nominal module operating temperature (NMOT)		44±2°C			
Maximum system voltage (IEC/UL)		1500V _{DC}			
Number of diodes		3			
Junction box IP rating		IP 67			
Maximum series fuse rating		15 A(≤345W), 20 A(≥350W)			

STC: Irradiance 1000W/m², Cell Temperature 25°C, AM=1.5

NMOT: Irradiance 800W/m², Ambient Temperature 20°C, AM=1.5, Wind Speed 1m/s

CURVE



MECHANICAL SPECIFICATIONS

Outer dimensions (L x W x H)	2000 x 992 x 40 mm 78.74 x 39.06 x 1.57 in
Frame technology	Aluminum, silver anodized
Module composition	Glass / EVA / Backsheet (white)
Front glass thickness	3.2 mm / 0.13 in
Cable length (IEC/UL)	Portrait: 350 mm (13.78 in) Landscape: 1200 mm (47.24 in)
Cable diameter (IEC/UL)	4 mm ² / 12 AWG
① Maximum mechanical test load	5400 Pa (front) / 2400 Pa (back)
Fire performance (IEC/UL)	Class C (IEC) or Type 1 (UL)
Connector type (IEC/UL)	MC4 compatible

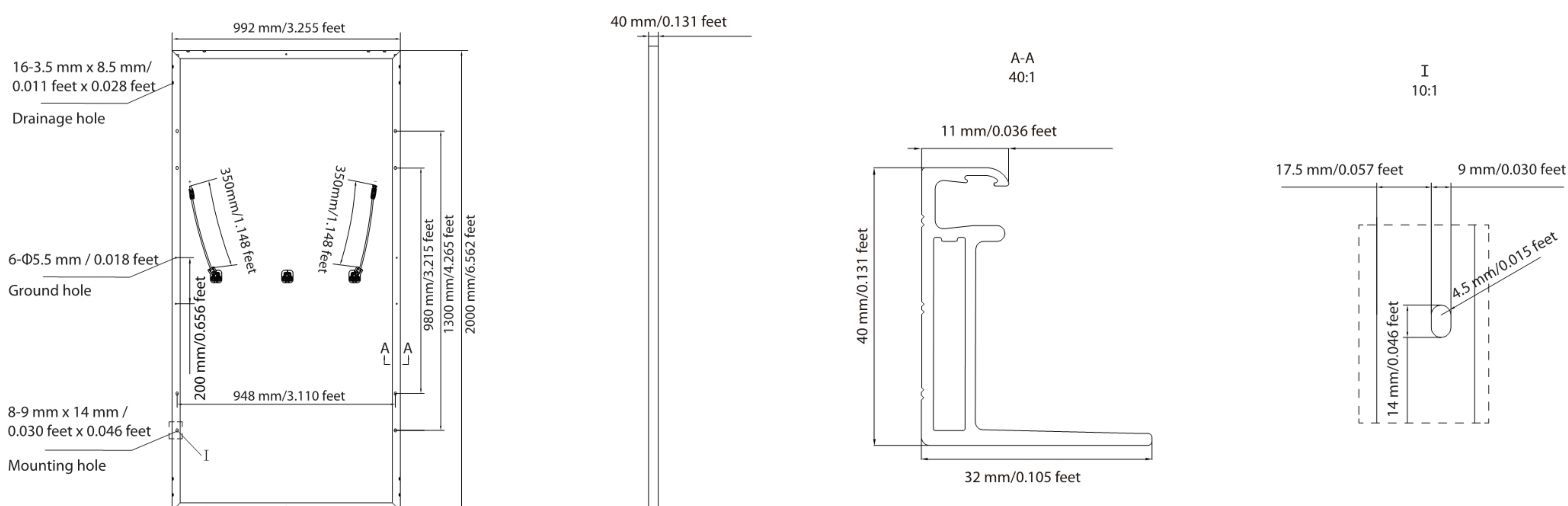
① Refer to Crystalline Silicon PV Module Installation Manual or contact technical department.
Maximum Mechanical Test Load=1.5×Maximum Mechanical Design Load.

PACKING SPECIFICATIONS

① Weight (module only)	22.3 kg / 49.16 lbs
② Packing unit	27 pcs / box
Weight of packing unit (for 40'HQ container)	648 kg / 1429 lbs
Number of modules per 40'HQ container	594 pcs

① Tolerance +/- 1.0kg
② Subject to sales contract

MODULE DIMENSION DETAILS



© Uzon PV (Anhui) Co., Ltd. Reserves the right of final interpretation. please contact our company to use the latest version for contract.