

For a Free Quote:

Web: **EnergyPal.com/solar**

Call: **1-800-990-3725**

Email: **contact@energypal.com**

EnergyPal

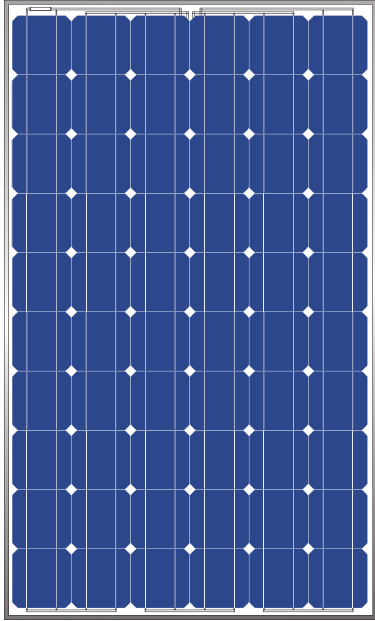
Solar Panel Guide Specification Data Sheet

**Vorks Energy Private Limited
VJM6 60/200-250
VJM6-60-240**

Also available on the web at
EnergyPal.com/vorks-energy-private-limited-solar-panels/vjm6-60-240

VJM6

60/200-250 SOLAR PHOTOVOLTAIC MODULE



PRODUCT OVERVIEW

- Vorks Energy's modules are optimally manufactured and adjusted to meet the needs of the current market; scientifically designed module dimension makes the installation simple and easy.
- Our continuous efforts in quality assurance system and certifications shows Vorks Energy's products demonstrate our commitment to product quality and customer requirements

MODULE CHARACTERISTICS

- High efficiency crystalline silicon solar cells
- High transmission low iron tempered glass, strong mechanical resistance
- Standard waterproof junction box, with bypass diode.
- High endurance to different atrocious weather.
- Custom designed modules according to clients's requirement.

MECHANICAL PARAMETERS

Cell(mm)	Mono 156×156
Weight(kg)	19.5
Dimensions(L×W×H)(mm)	1650×991×40
Cable Length(mm)	≥1000
Cable cross section size(mm ²)	4
No. of cells and connections	60 (10×6)
No. of diodes	3
Packing configuration	21/25 Pcs./Carton

WORKING CONDITIONS

Maximum System Voltage	DC 1000V(TÜV) / 600V(UL)
Operating Temp.	-40°C~+85°C
Maximum Series Fuse	15 A
Max. Wind Load / Max. Snow Load	2400Pa / 5400Pa
Grounding conductivity	<0.1Ω
NOCT	47±2%/°C
Application Class	Class A
Insulation Resistance	≥100MΩ

GUARANTEE

5-year limited product warranty

Limited performance warranty: 10 years at 90% of the minimal rated power output, 25 years at 80% of the minimal rated power output

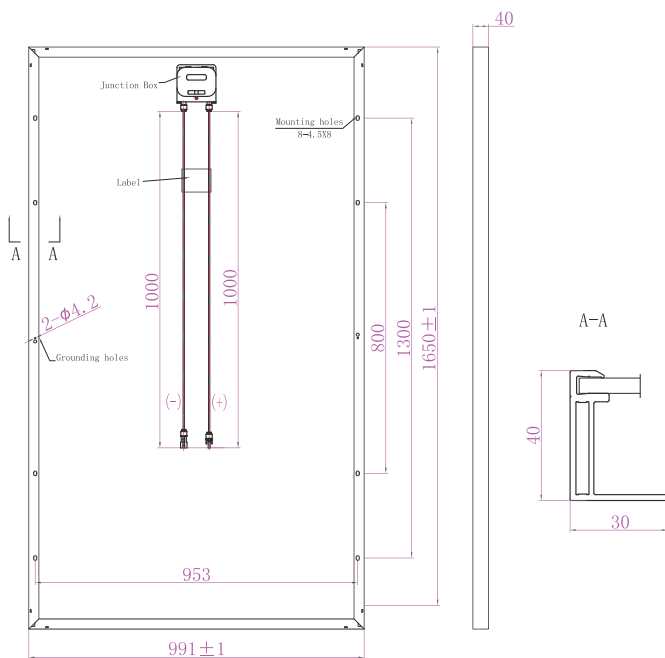
Vorks Energy Private Limited

Add: The Concourse, A-2A, Sector - 63, Noida - 201301, Uttar Pradesh, India
Tel: +91-98100-40837 **Email:** solar@vorks.com
www.vorks.com



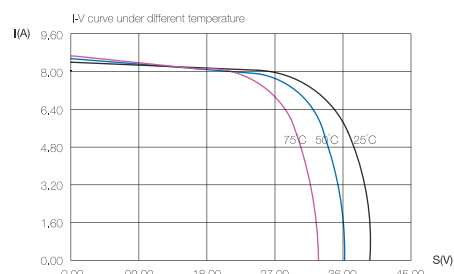
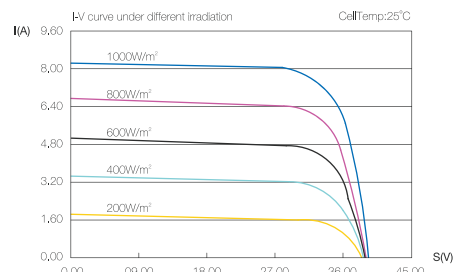
VJM6

60/200-250 SOLAR PHOTOVOLTAIC MODULE



I-V CURVE

Output under different irradiation and the correlation between Isc/Voc/ Pmax and Temperature map



ELECTRICAL PARAMETERS

TYPE	VJM6-60-200	VJM6-60-205	VJM6-60-210	VJM6-60-215	VJM6-60-220	VJM6-60-225	VJM6-60-230	VJM6-60-235	VJM6-60-240	VJM6-60-245	VJM6-60-250
Rated Maximum Power at STC (W)	200	205	210	215	220	225	230	235	240	245	250
Open Circuit Voltage (Voc/V)	36.12	36.29	36.46	36.63	36.80	36.97	37.14	37.31	37.48	37.65	37.82
Maximum Power Voltage (Vmp/V)	27.88	28.08	28.28	28.48	28.68	28.88	29.08	29.28	29.48	29.68	29.88
Short Circuit Current (Isc/A)	7.83	7.92	8.00	8.09	8.17	8.26	8.34	8.43	8.51	8.60	8.68
Maximum Power Current (Imp/A)	7.17	7.30	7.43	7.55	7.67	7.79	7.91	8.03	8.14	8.25	8.37
Module Efficiency [%]	12.23	12.54	12.84	13.15	13.45	13.76	14.07	14.37	14.68	14.98	15.29
Power Tolerance	±3%										
αIsc	+0.037%/°C										
βVoc	-0.297%/°C										
γPmp	-0.438%/°C										

Vorks Energy Private Limited

Add: The Concourse, A-2A, Sector - 63, Noida - 201301, Uttar Pradesh, India

Tel: +91-98100-40837 Email: solar@vorks.com

www.vorks.com

