

For a Free Quote:

Web: EnergyPal.com/solar

Call: 1-800-990-3725

Email: contact@energypal.com

EnergyPal

Solar Panel Guide Specification Data Sheet

Winaico WST-M6 PERC AUS WST-310M6

Also available on the web at
EnergyPal.com/winaico-solar-panels/wst-310m6



18.9 % EFFICIENCY

UP TO 315W

60 CELLS



EUPD RESEARCH

TOP BRAND PV

MODULES

GERMANY

2018

EUPD RESEARCH

TOP BRAND PV

MODULES

AUSTRALIA

2018



99% relative efficiency at weak-light
Because a 3% increase in yield makes a difference.



Designed for fire safety
Because plant fires mean more than financial losses alone.



Protection against the weather and the elements
Because long term performance matters.



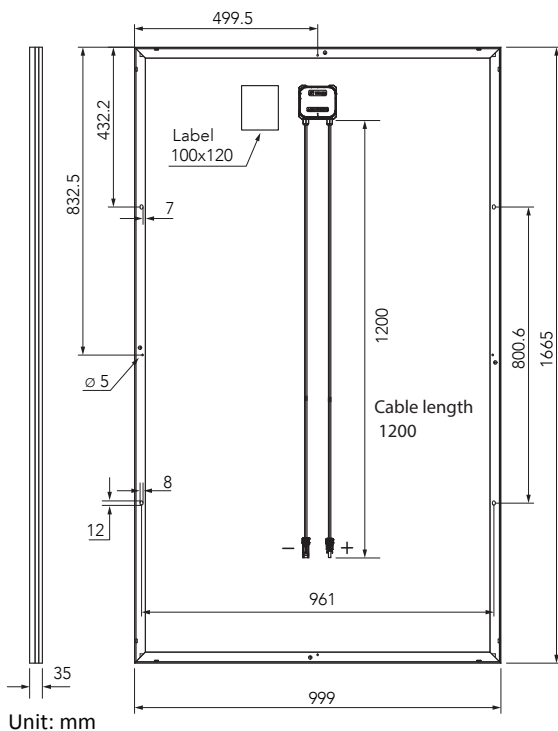
25 year linear performance guarantee
15 year product warranty.



10 years of WINAICO quality modules
WINAICO has been providing the global market with quality solar panels for over 10 years.



2 years of free insurance included
Because you never know what tomorrow might bring.



Mechanical data

Cell	Monocrystalline 156.75 x 156.75 mm
Quantity and wiring of cells	60 in series
Dimensions	1,665 x 999 x 35 mm (65.55 x 39.33 x 1.38 in)
Weight	18.6 kg (41.0 lbs)
Glass thickness	3.2 mm (0.13 in)
Frame	Black anodised aluminium
Junction box	IP 67
Connector type	MC4 (PV-KBT4/PV-KST4) IP68; QC4.10 IP67
Module fire performance	Type 4
Fire safety class	C

Operating conditions

Operating temperature	-40 °C to +85 °C / -40 °F to +185 °F
Maximum system voltage IEC/UL	1,000 V/1,000 V
Maximum series fuse	20 A
Maximum design load (+) / (-)	3,600 Pa / 2,400 Pa
Maximum test load (+) / (-)	5,400 Pa / 3,600 Pa
Nominal Module Operating Temperature NMOT	45 ± 3 °C
Temperature coefficient of P _{MAX}	-0.41 %/°C
Temperature coefficient of V _{OC}	-0.29 %/°C
Temperature coefficient of I _{SC}	0.04 %/°C

Certifications

IEC 61215-1:2016, IEC 61215-2:2016, IEC 61730-1:2016, IEC 61730-2:2016

Electrical data (STC)		WST-310M6	WST-315M6	
Nominal performance	P _{MAX}	310	315	Wp
Voltage at maximum performance	V _{MP}	32.91	33.24	V
Current at maximum performance	I _{MP}	9.42	9.48	A
Open circuit voltage	V _{OC}	40.25	40.40	V
Short circuit current	I _{SC}	10.06	10.16	A
Module efficiency		18.64	18.94	%
Power tolerance		-0/+5		W

The electrical data applies under standard test conditions (STC): solar radiation 1,000 W/m² with light spectrum AM 1.5, with cell temperature 25 °C. Measurement tolerance of P_{MAX} at STC: ±3%. Accuracy of other electrical data: ±10%.

Electrical data (NMOT)		WST-310M6	WST-315M6	
Nominal performance	P _{MAX}	226	229	Wp
Voltage at maximum performance	V _{MP}	30.24	30.54	V
Current at maximum performance	I _{MP}	7.46	7.51	A
Open circuit voltage	V _{OC}	37.92	38.06	V
Short circuit current	I _{SC}	7.96	8.04	A

The electrical data applies under Nominal Module Operating Temperature (NMOT), irradiance of 800 W/m², spectrum AM 1.5, ambient temperature 20 °C, wind speed 1 m/s.



WINAICO Australia Pty Ltd

Tel + 61 2 8091 2771
australia@winaico.com
www.winaico.com
3/393 George Street, Sydney NSW 2000, Australia



WINAICO is a trademark of
Win Win Precision Technology Co., Ltd.