

**For a Free Quote:**

**Web: [EnergyPal.com/solar](http://EnergyPal.com/solar)**

**Call: 1-800-990-3725**

**Email: [contact@energypal.com](mailto:contact@energypal.com)**

# **EnergyPal**

## **Solar Panel Guide Specification Data Sheet**

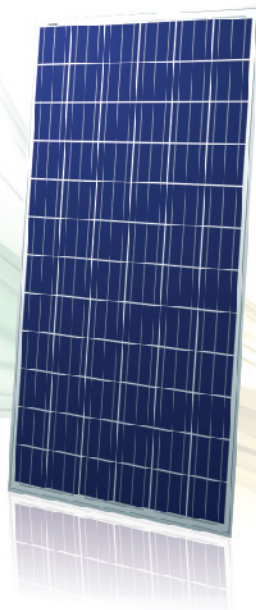
**Zhejiang Xiongtai Photovoltaic Technology Co., Ltd.**

**XTP6-72**

**XTP6-72-295**

Also available on the web at

[EnergyPal.com/zhejiang-xiongtai-photovoltaic-technology-co-ltd-solar-panels/xtp6-72-295](http://EnergyPal.com/zhejiang-xiongtai-photovoltaic-technology-co-ltd-solar-panels/xtp6-72-295)



**15.72%**  
Max Module Efficiency

**305W**  
Max Power Output

**12 Year**  
Product Warranty

**25 Year**  
Linear Power Warranty

## Certifications



# XTP6-72



### Positive tolerance

Guaranteed power output positive tolerance from 0 to 3%.



### Smart auto-recognition of weak light performance

Smart light auto-recognition under the condition of low irradiance and hazy light (mornings, evenings and cloudy days).



### Steady resistance to strong hailstone, wind and snow loads

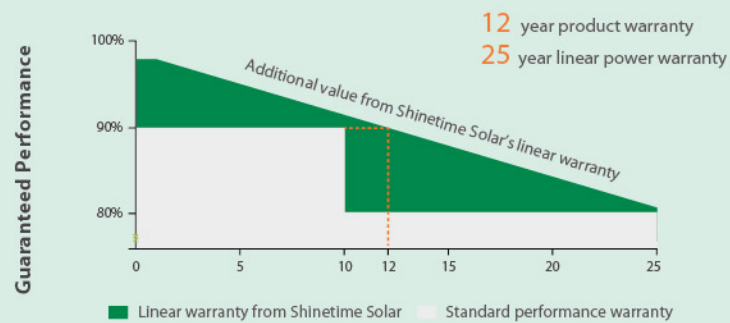
Special frame construction certified to ensure high wind loads (2400 Pa), snow loads (5400 Pa) and hailstone (40mm/4.5m/s).



### Certified manufacturing facility

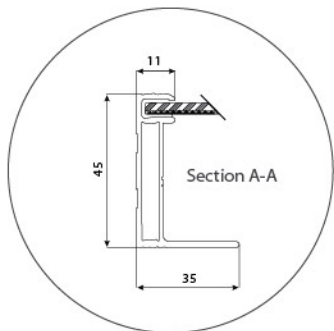
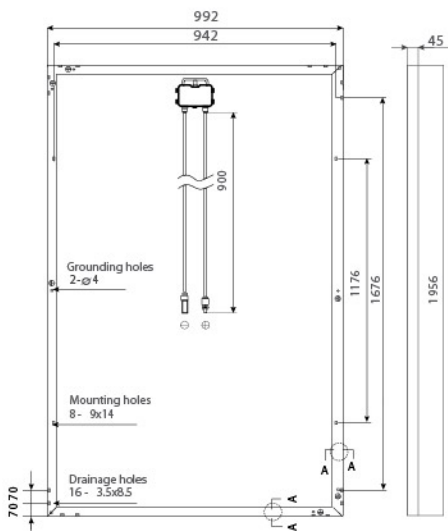
Manufacturing facility certified by TUV Rheinland to ISO 9001:2008, ISO 14001:2004.

## Linear Performance Warranty





Unit: mm



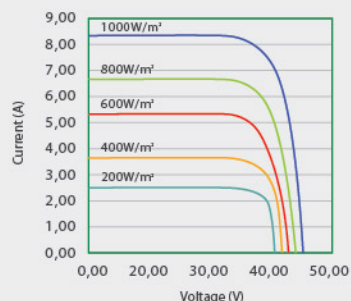
Electrical Data @ STC	XTP6-72-290	XTP6-72-295	XTP6-72-300	XTP6-72-305	XTP6-72-310
Peak Power Watts - P <sub>max</sub> (Wp)	290	295	300	305	310
Nominal Power Voltage - V <sub>mp</sub> (V)	35.9	36.2	36.4	36.7	36.9
Nominal Power Current - I <sub>mp</sub> (A)	8.08	8.15	8.24	8.31	8.40
Open Circuit Voltage - V <sub>oc</sub> (V)	44.8	45.0	45.2	45.4	45.6
Short Circuit Current - I <sub>sc</sub> (A)	8.58	8.66	8.74	8.81	8.89
Module Efficiency - η <sub>m</sub> (%)	14.95	15.20	15.46	15.72	15.98

Values at Standard Test Conditions STC (Air Mass: AM1.5, Irradiance: 1000W/m<sup>2</sup>; Cell Temperature: 25 °C).

Electrical Data @ NOCT	XTP6-72-290	XTP6-72-295	XTP6-72-300	XTP6-72-305	XTP6-72-310
Maximum Power - P <sub>MAX</sub> (W)	211	214	217	220	223
Maximum Power Voltage - V <sub>mp</sub> (V)	33.2	33.3	33.4	33.5	33.6
Maximum Power Current - I <sub>mp</sub> (A)	6.36	6.43	6.49	6.55	6.64
Open Circuit Voltage - V <sub>oc</sub> (V)	41.2	41.3	41.4	41.5	41.6
Short Circuit Current - I <sub>sc</sub> (A)	6.86	6.94	7.01	7.08	7.15

NOCT: Irradiance at 800W/m<sup>2</sup>, Ambient Temperature 20 °C, Wind Speed 1m/s.

### I-V Curves of PV Module XTP6-72



Average efficiency reduction of 4.5% at 200W/m<sup>2</sup> according to EN 60904-1.

### Temperature Ratings

Nominal Operating Cell Temperature (NOCT)	(45±3)
Temperature Coefficient of P <sub>max</sub>	(-0.402) %/k
Temperature Coefficient of V <sub>oc</sub>	(-0.332) %/k
Temperature Coefficient of I <sub>sc</sub>	(0.087) %/k



### Operating Conditions

Maximum System Voltage	1000Vdc
Max Series Fuse Rating	15A
Operating Temperature Range	-40 ~+85
Max. Static Load, Front	5400Pa
Max. Static Load, Back	2400Pa
Max. Hailstone Impact	40mm/4.5m/s

### Mechanical Data

Solar Cells	Polycrystalline 156*156 mm (6 inches)
Cells Orientation	72 cells (6*12)
Module Dimension	1956*992*45 mm
Weight	22.5 kg
Glass	High transparency and low-iron tempered solar glass 3.2 mm (0.13 inches)
Frame	Silver color anodized aluminum alloy
Junction Box	IP 67 rated
Cable	Photovoltaic technology cable: 4.0mm <sup>2</sup> (0.006 inches <sup>2</sup> ), 900mm (35.4 inches),
Connector	MC4 Compatible/IP65 or MC4 Original/IP67

### Warranty

- 12 year workmanship warranty
- 25 year linear performance warranty (12 year 90% power output, 25 year 80% power output)

### Packing Configuration

23pcs per ctn+38pcs per ctn, 2pcs per box, (2ctns+2boxes) per plt, 10 plts (50pcs)+1plt(80pcs), 580 per 40'HQ