

For a Free Quote:

Web: EnergyPal.com/solar

Call: 1-800-990-3725

Email: contact@energypal.com

EnergyPal

Solar Panel Guide Specification Data Sheet

**Suntellite Group - Hangzhou Sunny Energy Science
and Technology Co., Ltd
ZDNY-220-235C54
ZDNY-235C54**

Also available on the web at
EnergyPal.com/suntellite-group-hangzhou-sunny-energy-science-and-technology-co-ltd-solar-panels/zdny-235c54



Premium Series

SUNTELLITE MODULE MONOCRYSTALLINE

ZDNY-220C54	220Wp
ZDNY-225C54	225Wp
ZDNY-230C54	230Wp
ZDNY-235C54	235Wp



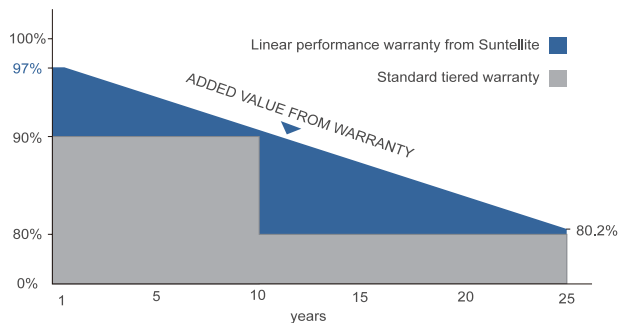
ZDNY-***CB54 All black series as optional

Features

- Cost-effective standard solar modules for skylight, roofing and facades applications
- 0 to +3% positive tolerance for mainstream products
- Withstand high wind loads and snow loads (5400Pa)
- Anti-reflective highly transparent, low iron tempered glass
- Whole black and frame features aesthetic appearance
- Transmission rate 3.18%

Benefits

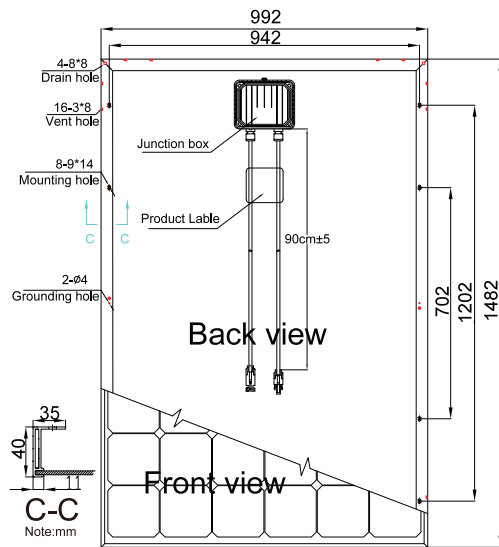
- 25-year linear performance warranty;
- 10-year warranty on materials and workmanship
- Product liability insurance
- 48 hour-response service
- Enhanced design for easy installation and long-term reliability



Typical electrical characteristics

Characteristics	ZDNY-220C54	ZDNY-225C54	ZDNY-230C54	ZDNY-235C54
Max.Power(Pmax)	220Wp	225Wp	230Wp	235Wp
Optimum Operating Voltage(Vm)	27.83V	28.02V	28.36V	28.49V
Optimum Operating Current(I _m)	7.91A	8.04A	8.12A	8.25A
Open-circuit Voltage(V _{oc})	33.36V	33.40V	33.45V	34.82V
Short-circuit Current(I _{sc})	8.42A	8.49A	8.56A	8.65A
Cell Efficiency	17.00%	17.40%	17.80%	18.20%
Module Efficiency	14.96%	15.30%	15.64%	15.98%

Note: the specifications are obtained under the Standard Test Condition(STC):1000 W/m² solar irradiance, AM1.5, Cell Temperature 25 °C .



Solar Cell	Mono-crystalline 156*156mm
Output Tolerance(Pmax)	0 ~ +3%
Number of cells	60 cells in series
Module Dimension	1482*992*40mm
Weight	17.5kg
Max.System Voltage	1000V(TUV)/600V(UL)
Max.Series Fuse Rating	15A
Output Cable	PV 4mm ²
Cable Length	90cm±5
Number of bypass diodes	6
Temperature cycling range	(-40 ~ 85°C)
NOCT	47°C ±2°C
Temperature coefficients of I_{sc}	+(0.053±0.01)%/K
Temperature coefficients of V_{oc}	-(0.35±0.001)%/K
Temperature coefficients of Pmax	-(0.40±0.05)%/K
Load Capacity	315 pcs/20'GP
	810 pcs/40'HQ

