

For a Free Quote:

Web: EnergyPal.com/solar

Call: 1-800-990-3725

Email: contact@energypal.com

EnergyPal

Solar Panel Guide Specification Data Sheet

**Suntellite Group - Hangzhou Sunny Energy Science
and Technology Co., Ltd
ZDNY-270C60-290C60
ZDNY-285C60**

Also available on the web at
EnergyPal.com/suntellite-group-hangzhou-sunny-energy-science-and-technology-co-ltd-solar-panels/zdny-285c60



Premium Series

SUNTELLITE MODULE MONOCRYSTALLINE

ZDNY-270C60	270Wp
ZDNY-275C60	275Wp
ZDNY-280C60	280Wp
ZDNY-285C60	285Wp
ZDNY-290C60	290Wp

ZDNY-***CB60 All black series as optional



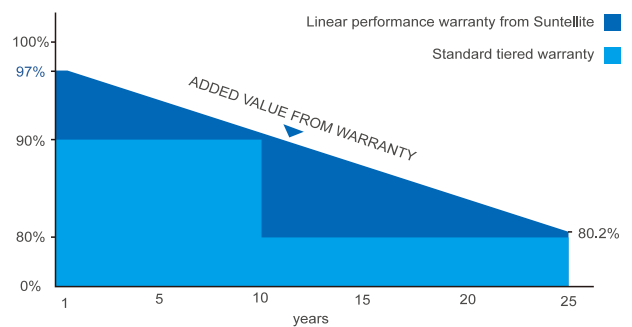
Key Features

- High-yield modules with high level of efficiency :**
 Automatic cell and module production with 100% quality control and product trace-ability.
 0 to +3% of positive power tolerance guaranteed
 PID Free(Potential Induced Degradation)
- Heavy Load mechanical resistance :**
 TUV Certified (5400Pa tested against snow and 2400Pa against the wind)
- The production system is ISO9001, ISO14001, OHSAS18001 certified**
- Fire Test Approved :**
 Application class A, Safety Class II, Fire Rating A
- High Salt mist and ammonia resistance**
- Enhanced design for easy installation and long-term reliability.**



Warranty

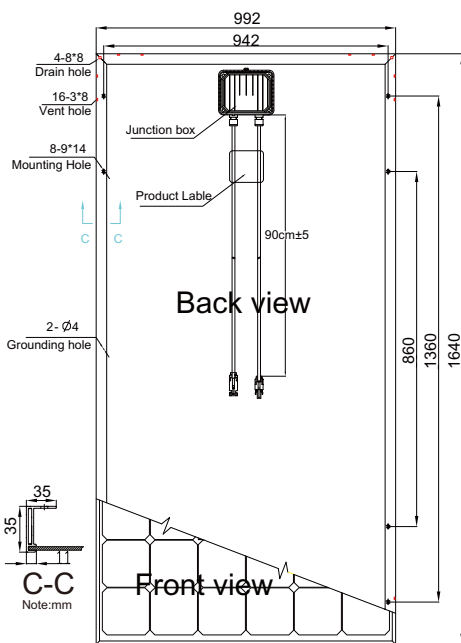
- 12 years limited workmanship warranty.
- No less than 97%output power in the first year.
- No more than 0.7% annual declination since the second year.
- 25 year warranty at 80.2% power output.
- Product liability and E&O insurance has been covered by Chubb Insurance



Typical electrical characteristics

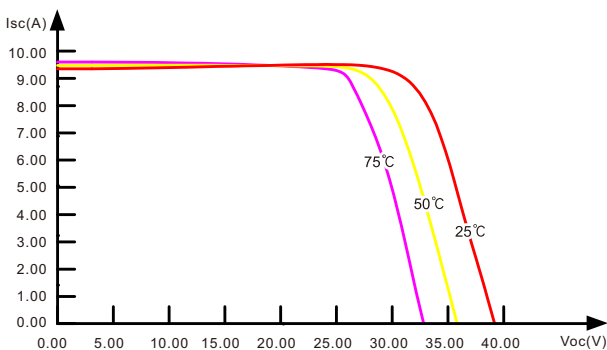
Characteristics	ZDNY-270C60	ZDNY-275C60	ZDNY-280C60	ZDNY-285C60	ZDNY-290C60
Max.Power(Pmax)	270Wp	275Wp	280Wp	285Wp	290Wp
Optimum Operating Voltage(Vm)	31.11V	31.28V	31.52V	31.85V	32.23V
Optimum Operating Current(Im)	8.68A	8.80A	8.89A	8.95A	9.01A
Open-circuit Voltage(Voc)	38.66V	39.02V	39.17V	39.33V	39.45V
Short-circuit Current(Isc)	9.24A	9.30A	9.35A	9.41A	9.46A
Cell Efficiency	18.83%	19.18%	19.53%	19.88%	20.23%
Module efficiency	16.60%	16.90%	17.21%	17.52%	17.83%

- STC (Standard Test Condition): Irradiance 1000W/m², Module Temperature 25°C, AM=1.5
- NOCT: Irradiance 800W/m², ambient Temperature 20°C, wind speed 1m/s



Solar Cell	Mono-crystalline 156*156mm
Output Tolerance(Pmax)	0 ~ +3%
Number of cells	60 cells in series
Module Dimension	1640*992*35mm
Weight	18.80kg
Max.System Voltage	1000V(TUV)/1000V(UL)
Max.Series Fuse Rating	15A
Output Cable	PV 4mm ²
Cable Length	90cm±5
Number of bypass diodes	3
Temperature cycling range	(-40 ~ 85 °C)
NOCT	47°C ±2°C
Temperature coefficients of Isc	+0.053%/K
Temperature coefficients of Voc	-0.35%/K
Temperature coefficients of Pmax	-0.40%/K
Load Capacity	394pcs/20'GP
	896pcs/40'HQ

I-V Curves of PV module ZDNY-280C60 at various cell temperatures



I-V Curves of PV module ZDNY-280C60 at various solar irradiance

