

**For a Free Quote:**

Web: [EnergyPal.com/solar](http://EnergyPal.com/solar)

Call: 1-800-990-3725

Email: [contact@energypal.com](mailto:contact@energypal.com)

# EnergyPal

## Solar Panel Guide Specification Data Sheet

**Zytech Solar**  
**ZT240-245P**  
**ZT240P**

Also available on the web at  
[EnergyPal.com/zytech-solar-solar-panels/zt240p](http://EnergyPal.com/zytech-solar-solar-panels/zt240p)

# ZT Series Polycrystalline

Solar Module

240P/245P



## Efficiency

High Module Conversion Efficiencies utilizing three bus bars per cell

## Warranty

Peace of Mind Guaranteed with a twenty-five Year Linear Power Warranty and Product Quality Ensured for ten years

## Certifications

IEC 61215:2005, IEC 61730:2004, UL 1703-3rd Ed: 2014, ULC/ORD C1703-01:2014, ISO 9001:2008, PSK 024:2008

## Tolerance

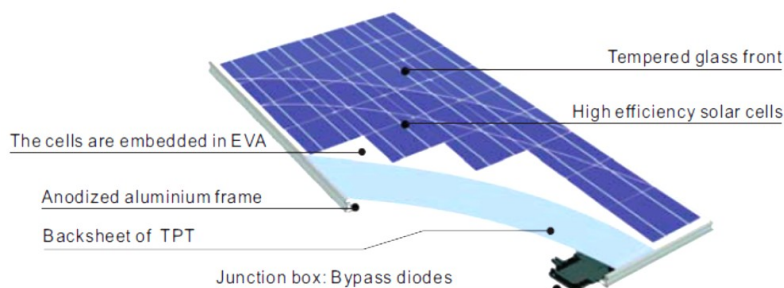
Strict quality control guarantees higher average power output according to tolerance -3% to +3%

## Optimized Strength

Minimum standard for wind 2700Pa to a Mechanical load capacity up to 5400Pa meet customer's needs for durability on high mountains, sea shores, & paths between buildings



### Module Construction



**EMPOWERING You**  
To Change The Future

Zytech was founded in Zaragoza (Spain) in 2005. Since then the group has progressively increased its infrastructure and production capacity to become a global power with offices and headquarters in Spain, Germany, France, Italy, BENELUX, Mexico, United States of America, Korea, Malaysia and China.

Zytech takes pride in their R&D department which specializes in product enhancement, state-of-the-art machinery and rigorous quality control that guarantees an European quality product at the best price.



[www.zytechsolar.com](http://www.zytechsolar.com)

# ZT Series Polycrystalline

Solar Module



240P/245P

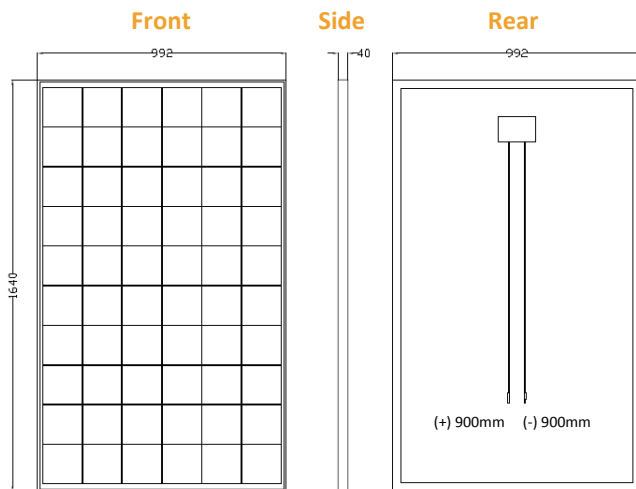
Cell Data	
Technology	Polycrystalline Silicon
Number Per Module	60
Dimension	156 × 156mm ( 6 inches )
Orientation	6 × 10

Thermal Data	
Nominal Operating Cell Temperature (NOCT)	45°C ± 2°C
Temperature Coefficient of Voc	-0.275% / °C
Temperature Coefficient of Isc	+0.023% / °C
Temperature Coefficient of Power Pmax	- 0.40% / °C

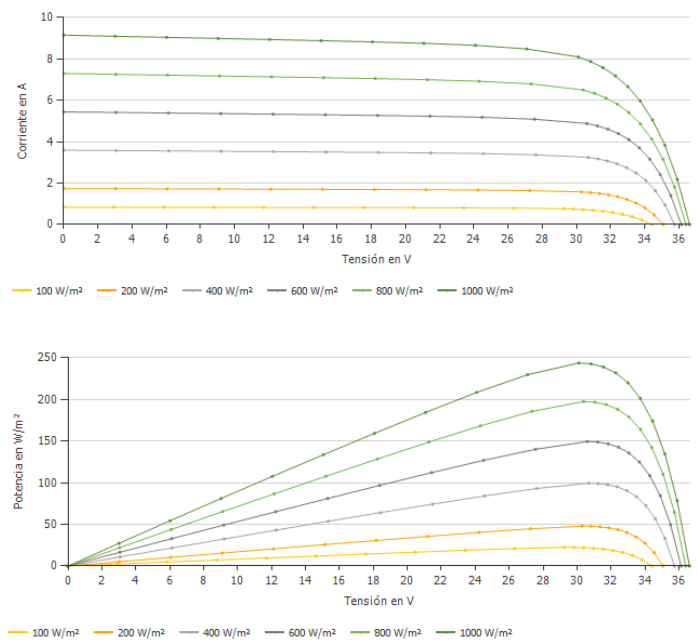
Electrical Data (STC)		ZT 240P	ZT 245P
Maximum power (W)	Pmax	240	245
Power Output Tolerance (%)		± 3%	
Maximum Power Voltage (V)	Vmpp	30.25	30.29
Maximum Power Current (A)	Imp	8.10	8.23
Open Circuit Voltage (V)	Voc	36.72	36.80
Short Circuit Current (A)	Isc	9.15	9.29
Module Efficiency (%)		17.00%	17.20%

\* At Standard Conditions (STC) Irradiance 1000 watt/m<sup>2</sup>, spectrum AM 1,5 at a cell temperature of 25°C

System Integrated Parameters	
Maximum System Voltage SCII	1000 VDC (UL1000V)
Maximum Reverse Current	Do not apply external voltages larger than Voc to the module
Operating Temperature	-40~+85°C
Max Series Fuse Rating	15A



IU and PU Curve



Physical Characteristics	
Module Dimension (L×W×H)	1640x992x40 mm. Code: PV-30027 (ZT240P)
Weight	18 kg
J-Box	IP65 or IP67 rated, 3/6 diodes
Connector	MC4 or MC4 Compatible
Glass	3.2mm (0.13 in ), High Transmission, AR Coated Tempered Glass
Cable	4 mm <sup>2</sup> PV cable 900mm
Frame	Silver Anodized Aluminum Alloy

Packing Configuration	
Modules Per Pallet	26
Pallet Per 40' HQ Container	28 (728 pcs)
Packing Box Dimension (L×W×H)	1700×1150×1040 mm
Packing Orientation	Side

**ZYTECH SOLAR S.L.**

P. Industrial Centrovía- C/R. Janeiro, 12  
50198 La Muela (Zaragoza) SPAIN  
Tel: +34 976 141819 / Fax: +34 976+141818  
info@zytech.es  
www.zytechsolar.es

\*Zytech Solar reserves the right to change specifications without notice\*